





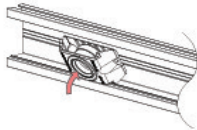
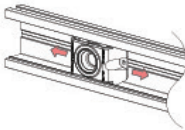
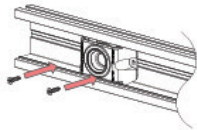
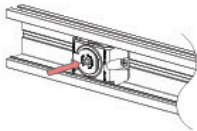

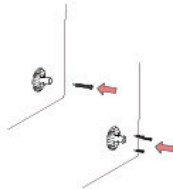
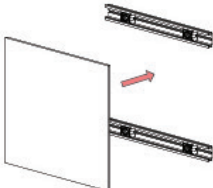

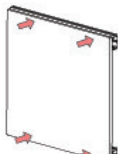
# STRATLOCK SL RANGE

## SL-FB1 & SL-FB1-FR INSTALLATION GUIDE

SL-FB1 Stratlock® Range - Screw Fix  
 SL-FB1-FR Stratlock® Range - Screw Fix - Fire-rated

SL-FB1	SL-FB1-FR	USE WITH:	INSTALL WITH:
		SL-M10, SL-M18, SL-M18-FR	#8 screws #5 screws CP-01ST
			

INSTALLATION STEPS Screw-fix method - follow same steps for fire-rated Stratlock clips

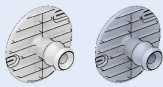
- 1 Insert SL-FB1 into frame  

- 2 Locate SL-FB1 correct position  

- 3 Secure SL-FB1 using 2x #5 screws  

- 4 Insert CP-01ST into SL-FB1, press to mark panel  

- 5 Drill out mark with 3mm drill bit  

- 6 Secure SL-M18 with 1x #8 screw, or 3x #5 screws  

- 7 Engage SL-M18 one click into SL-FB1  

- 8 Adjust panel into required position  

- 9 Adjust adjacent panels into required position, then engage second click to lock panel in place  


Stratlock SL-RLE shown.

# STRATLOCK SL RANGE

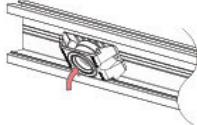
## SL-FB1 & SL-FB1-FR INSTALLATION GUIDE

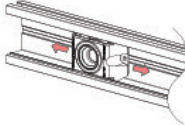
### SL-FB1 Stratlock® Range - Adhesive Fix

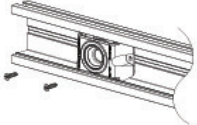
SL-FB1	<b>USE WITH:</b> SL-M10, SL-M18 	<b>INSTALL WITH:</b> A 2 part epoxy
--------	---	--

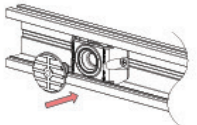
#### INSTALLATION STEPS Adhesive fix method

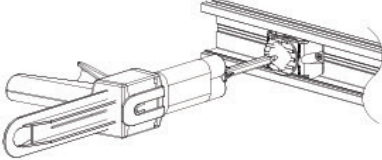
- 1 Insert SL-FB1 into frame

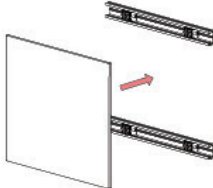

- 2 Locate SL-FB1 correct position

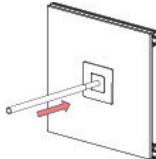

- 3 Secure SL-FB1 using 2x #5 screws

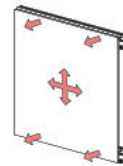

- 4 Engage SL-M18 with two clicks into SL-FB1

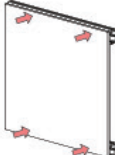

- 5 Apply adhesive to SL-M18


- 6 Press panel into place, using supports while glue dries


- 7


- 8 Remove panel from frame, engage SL-M18 one click into SL-FB1


- 9 Adjust panel into required position



Stratlock SL-RLE shown.