

STRATLOCK SL RANGE

SL-FB1 & SL-FB1-FR PRODUCT GUIDE

SL-FB1 Stratlock® Female Front Mount SL-FB1-FR Stratlock® Female Front Mount - Fire-rated

The SL-FB1 provides rapid installation of heavy panels into 0.71" standard galvanized steel rail framework. Designed specifically for contract interior fit out applications. Female installs rapidly with a push fit function into the steel channel, and does not require fastenings. Used with the SL-M10/SL-M18 / SL-M18-FR, the new solid internal load chassis creates 5/32" supported movement of the panel in any direction at the first engagement before locking into place with a 22/40lb pull out load. Patent Pending.

Designed for the new Stratlock Rail System by Fastmount, or fits into channel dimensions: mouth: 1.38"-1.41", depth: min 0.62"-0.65", wall thickness: N/A. The distance between the panel and substrate when installed is 1/2" at the first click, and 0.24" when pressed into final position.

SL-FB1

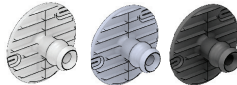


SL-FB1-FR



USE WITH:

SL-M10, SL-M18, SL-M18-FR



MATERIAL:

White Acetal copolymer/Rubber ring
Off white Duranex

MORE INFO:

Installation Guide SL-FB
Clip Layout Guide TD-16, 18
Panel Offset Guide

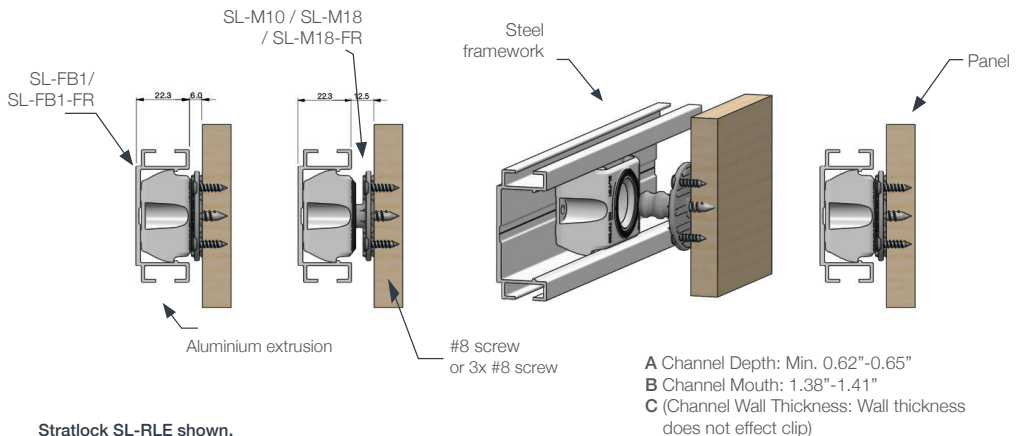
BENEFITS

- Strongest mounting available
- Supported movement of the panel 4mm in any direction before locking into final position.
- Push fit into rail face
- No special tools required
- Acoustic isolation between panel and frame
- Fits into front channel steel extrusion
- Option of 22lb or 40lb pull out load with SL-M10 or SL-M18
- Adjustability along channel for easy spacing - can be screwed once in position
- SL-FB1-FR available in V-0 rated FR PBT

APPLICATIONS

- Commercial interior fit out
- Mounting heavier ceiling and wall panels
- Architectural applications

INSTALLATION: Partially exploded through section showing typical installation method



STRATLOCK SL RANGE

SL-FB1 & SL-FB1-FR PRODUCT GUIDE

Below are the associated certifications for the above-mentioned
Fire Rated materials used in the SL-FB1-FR:
UL-Yellow card for Duranex PBT
Grilon ASV0

Component - Plastics

E213445

Guide Information

POLYPLASTICS CO LTD

18-1 KONAN 2-CHOME, MINATO-KU TOKYO 108-8280 JP

2016(e)

Polybutylene Terephthalate (PBT) "Duranex", furnished as pellets

Color	Min. Thk (mm)	Flame Class	HWI	HAI	RTI Elec	RTI Imp	RTI Str
ALL	0.44	V-0	-	-	110	75	110
	0.75	V-0	4	0	130	120	130
	1.5	V-0	3	0	130	120	130
NC	3.0	5VA	2	0	130	120	130

Comparative Tracking Index (CTI): 2

Inclined Plane Tracking (IPT) kV: -

Dielectric Strength (kV/mm): 39

Volume Resistivity (10⁸ ohm-cm): 16

High-Voltage Arc Tracking Rate (HVTR): 3

Surface Resistivity (10⁸ ohms/square): -

Dimensional Stability (%): 0

High Volt, Low Current Arc Resis (D495): 6

(e) - Virgin and regrind up to 50 by weight incl. have the same basic material characteristics above a minimum thickness of 0.75 mm

ANSI/UL 94 small-scale test data does not pertain to building materials, furnishings and related contents. ANSI/UL 94 small-scale test data is intended solely for determining the flammability of plastic materials used in the components and parts of end-product devices and appliances, where the acceptability of the combination is determined by UL.

Report Date: 2000-11-15

Last Revised: 2014-02-10

© 2020 UL LLC

**IEC and ISO Test Methods**

Test Name	Test Method	Units	Thk (mm)	Value
Flammability	IEC 60695-11-10, IEC 60695-11-20	Class (color)	0.44	V-0 (ALL)
			0.75	V-0 (ALL)
			1.5	V-0 (ALL)