
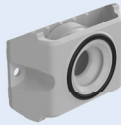




STRATLOCK SL RANGE

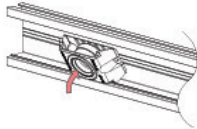
SL-FB1 & SL-FB1-FR INSTALLATION GUIDE

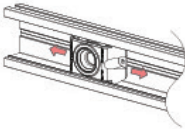
SL-FB1 Stratlock® Range - Screw Fix
 SL-FB1-FR Stratlock® Range - Screw Fix - Fire-rated

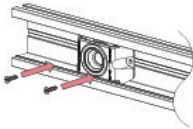
SL-FB1	SL-FB1-FR	USE WITH:	INSTALL WITH:
		SL-M10, SL-M18, SL-M18-FR	#8 screws #5 screws CP-01ST
			

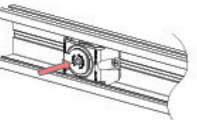
INSTALLATION STEPS Screw-fix method - follow same steps for fire-rated Stratlock clips


- 1 Insert SL-FB1 into frame

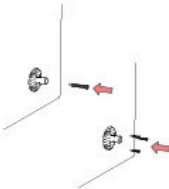

- 2 Locate SL-FB1 correct position

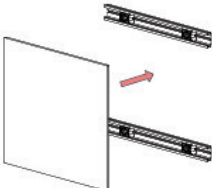

- 3 Secure SL-FB1 using 2x #5 screws



- 4 Insert CP-01ST into SL-FB1, press to mark panel

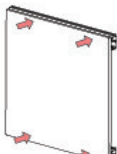

- 5 Drill out mark with 1/8" drill bit


- 6 Secure SL-M18 with 1x #8 screw, or 3x #5 screws


- 7 Engage SL-M18 one click into SL-FB1


- 8 Adjust panel into required position


- 9 Adjust adjacent panels into required position, then engage second click to lock panel in place


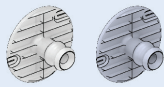


Stratlock SL-RLE shown.

STRATLOCK SL RANGE

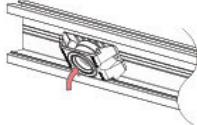
SL-FB1 & SL-FB1-FR INSTALLATION GUIDE

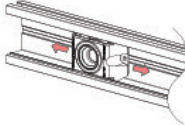
SL-FB1 Stratlock® Range - Adhesive Fix

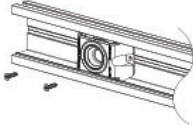
<p>SL-FB1</p> 	<p>USE WITH:</p> <p>SL-M10, SL-M18</p> 	<p>INSTALL WITH:</p> <p>A 2 part epoxy</p>
---	---	---

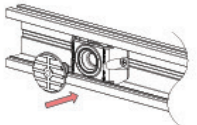
INSTALLATION STEPS Adhesive fix method

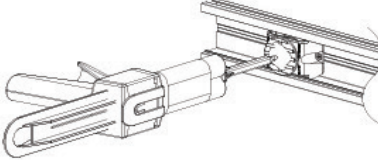
- 1** Insert SL-FB1 into frame

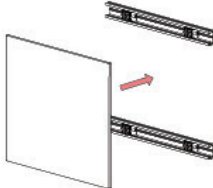

- 2** Locate SL-FB1 correct position

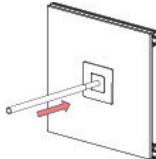

- 3** Secure SL-FB1 using 2x #5 screws

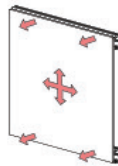

- 4** Engage SL-M18 with two clicks into SL-FB1

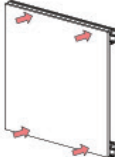

- 5** Apply adhesive to SL-M18


- 6** Press panel into place, using supports while glue dries


- 7**


- 8** Remove panel from frame, engage SL-M18 one click into SL-FB1


- 9** Adjust panel into required position



Stratlock SL-RLE shown.