

# VERY LOW PROFILE VL RANGE



The Very Low Profile Range offers the least space between panel and substrate, and is suited to very thin substrates and/or panels with no special tools required for installation. Clips can be recessed, screw, rivet or adhesive fixed. Pull-out loads vary from 5-10kg per clip set, with a certified fire-rated version available. Common uses: thin upholstered plywood panels, signage, aluminium honeycomb panels.



## **VL-M3** VERY LOW PROFILE MALE CLIP

Male very low profile surface mount clip. Compatible with female clip VL-F3. 5kg pull out load per clip set. Screw or glue fix with 2 part epoxy. No special tools required for installation.

See pages 59, 62 for more technical details.

---



## **VL-F3** VERY LOW PROFILE FEMALE CLIP

Female very low profile clip for surface or recessed mounting. Compatible with male clip VL-M3. 5kg pull out load per clip set. Screw or 2 part epoxy fix. No special tools required for installation.

See pages 59, 62 for more technical details.

---



## **VL-SS3** VERY LOW PROFILE STAINLESS STEEL SCREW

Custom type 303 stainless steel screw for fixing VL range clips into panels as thin as 5.5mm. Pozi drive head.

See pages 59-62 for more technical details.

**VL-M3H** VERY LOW PROFILE MALE CLIP HEAVY DUTY 10KG

Male very low profile heavy duty surface mount clip. Compatible with female clip VL-F3H. 10 kg pull out load per clip set. Screw or glue fix with 2 part epoxy. No special tools required for installation.

See pages 59, 62 for more technical details.

**VL-F3H** VERY LOW PROFILE FEMALE CLIP HEAVY DUTY 10KG

Female very low profile heavy duty clip for surface or recessed mounting. Compatible with male clip VL-M3H. 10kg pull out load per clip set. Screw or glue fix with 2 part epoxy. No special tools required for installation.

See pages 59, 62 for more technical details.

**VL-M3FR** VERY LOW PROFILE MALE CLIP FIRE-RATED 10KG

Male very low profile fire-rated surface mount clip. Compatible with female clip VL-F3FR. 10kg pull out load per clip set. Screw fix with VL-SS3. No special tools required for installation. Fire-resistance certified by CSTB (Scientific and Technical Centre for Building, France)

See page 61, 62 for more technical details.

**VL-F3FR** VERY LOW PROFILE FEMALE CLIP FIRE-RATED 10KG

Female very low profile fire-rated clip for surface or recessed mounting. Compatible with male clip VL-M3FR. 10kg pull out load per clip set. Screw fix with VL-SS3. No special tools required for installation. Fire-resistance certified by CSTB (Scientific and Technical Centre for Building, France)

See page 61, 62 for more technical details.

**VL-M3X** VERY LOW PROFILE EXTRA HEAVY DUTY 25KG

The VL-M3X is the strongest fixing in the Very Low Profile Range, ideal for more permanent fixings in applications such as settee arms in furniture, heavy artwork, and large, heavyweight interior panels. With a 25kg pull out load and 75kg shear load, the VL-M3X clips into the VL-F3H and requires no special tools for installation. Can be used with a wide range of adhesives or screw fixed, according to application type.

See page 60, 62 for more technical details.

 **NEW**
**TOOLS****VL-CP3****CT-05****CT-05H****CT-17**

# VERY LOW PROFILE VL RANGE

## VL-F3 & VL-M3 PRODUCT GUIDE

### VL-F3 & VL-M3 Very Low Profile

The VL-F3 & VL-M3 are ideal for mounting ceiling and wall panels in areas with minimal frame and panel thickness. The VL-F3 & VL-M3 use the patented SuperGroove™ system to mechanically engage into adhesive. Screw or adhesive combinations can be used. Refer to Panel Offset Guide for gap between substrate and panel, pull out and shear loads.

**VL-F3** 5kg

**VL-M3** 5kg



#### MATERIAL:

Light Grey Acetal copolymer

#### MORE INFO:

Installation Guide VL-03  
Clip Layout Guide TD-02, 08, 09  
Panel Offset Guide

#### BENEFITS

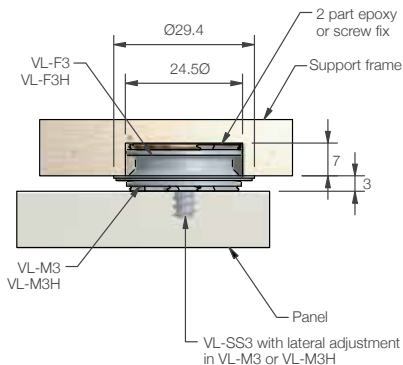
- Self-aligning secure mounting
- Installation requires no special tools or skilled labour
- Uses a range of adhesives to suit the customer
- Fast installation
- 5kg pull out load
- Clip lead in for easy fitting
- Can be screw fixed with lateral adjustment, or glue fixed

#### APPLICATIONS

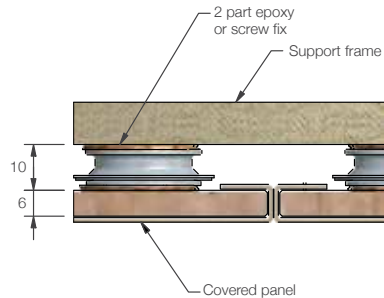
- Areas with minimal clearance
- Inspection panels
- Soft or honeycomb cored panels with thin facings
- Mounting panels where no drilling is preferred

**INSTALLATION:** Partially exploded through section showing typical installation method

Through section showing recessed installation



Through section showing surface mounted adhesive installation



# VERY LOW PROFILE VL RANGE

## VL-F3H & VL-M3H PRODUCT GUIDE

### VL-F3H & VL-M3H Very Low Profile - Heavy Duty

The VL-F3H & VL-M3H are ideal for mounting ceiling and wall panels in areas with minimal frame and panel thickness. The VL-F3H & VL-M3H use the patented SuperGroove™ system to mechanically engage into adhesive. Screw or adhesive combinations can be used. Refer to Panel Offset Guide for gap between substrate and panel, pull out and shear loads.

**VL-F3H** 10kg

**VL-M3H** 10kg



**MATERIAL:**  
Black Shinite

**MORE INFO:**  
Installation Guide VL-03  
Clip Layout Guide TD-02, 08, 09  
Panel Offset Guide

#### BENEFITS

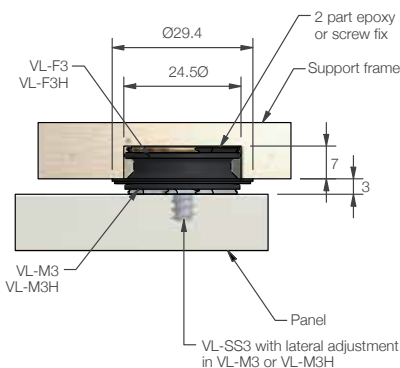
- Self-aligning secure mounting
- Installation requires no special tools or skilled labour
- Uses a range of adhesives to suit the customer
- Fast installation
- 10kg pull out load
- Clip lead in for easy fitting
- Can be screw fixed with lateral adjustment, or glue fixed

#### APPLICATIONS

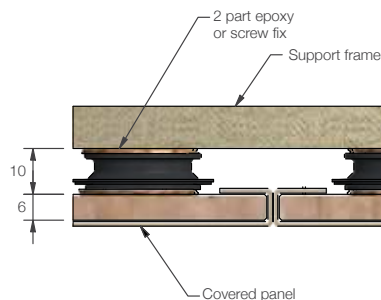
- Areas with minimal clearance
- Inspection panels
- Soft or honeycomb cored panels with thin facings
- Mounting panels where no drilling is preferred

**INSTALLATION:** Partially exploded through section showing typical installation method

Through section showing recessed installation



Through section showing surface mounted adhesive installation



# VERY LOW PROFILE VL RANGE

## VL-M3X PRODUCT GUIDE

### VL-M3X Very Low Profile Extra Heavy Duty 25kg

The VL-M3X is the strongest fixing in the Very Low Profile Range, ideal for more permanent fixings in applications such as settee arms in furniture, heavy artwork, and large, heavyweight interior panels. With a 25kg pull out load and 75kg shear load, the VL-M3X clips into the VL-F3H with no special tools required for installation. Can be used with a wide range of adhesives or screw fixed, according to application type.

**VL-M3X** 25kg



**! NEW**

#### MATERIAL:

Off white Acetal copolymer

#### USE WITH:

VL-F3H



#### MORE INFO:

Installation Guide VL-03  
Clip Layout Guide TD-02, 08, 09  
Panel Offset Guide

#### BENEFITS

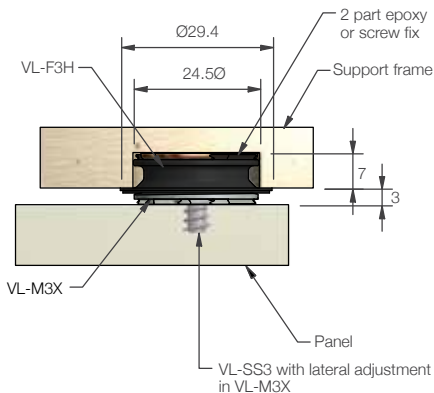
- Self-aligning secure mounting
- Installation requires no special tools or skilled labour
- Uses a range of adhesives to suit the customer
- Fast installation
- 25kg pull out load
- 75kg shear load
- Clip lead in for easy fitting
- Can be screw fixed with lateral adjustment, or glue fixed

#### APPLICATIONS

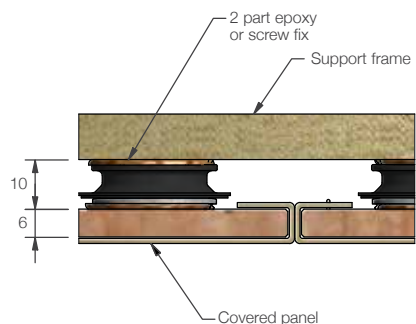
- Arms for sofas and armchairs
- Heavy artwork
- Signage
- Large panels that need strong securing

**INSTALLATION:** Partially exploded through section showing typical installation method

Through section showing recessed installation



Through section showing surface mounted adhesive installation



# VERY LOW PROFILE VL RANGE

## VL-F3FR & VL-M3FR PRODUCT GUIDE

### VL-F3FR & VL-M3FR Very Low Profile - Fire-rated

The VL-F3FR & VL-M3FR combine the Very Low Profile convenience for ceiling and wall panels, with a fire rating, making it useful in commercial areas where fire rating is required on thin panels.

The VL-F3FR & VL-M3FR can be rivet or screw fixed. Incorporates the patented SuperGroove™ system. Tested to out-perform external screw fixings in fire rating testing using fire-rated MDF with B Euroclass by CSTB\*. \*Scientific and Technical Centre for Building, France.

Refer to Panel Offset Guide for gap between substrate and panel, pull out and shear loads.

**VL-F3FR** 10kg

**VL-M3FR** 10kg



#### BENEFITS

- Fire-rated plastic with V-0 UL rating
- GWIT test at 2mm: 625°C, test method IEC-60695-2-13
- 10kg pull out load
- Rivet or screw fix to steel frames
- Screw fix to panels to ensure mechanical connection
- No special installation tools required

#### APPLICATIONS

- Fire-rated ceiling and wall panels in areas with minimal frame and panel thickness
- Inspection panels
- Thin panels

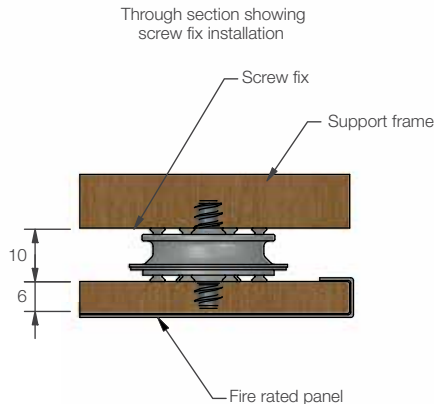
#### MATERIAL:

White Duranex

#### MORE INFO:

Installation Guide VL-03  
Clip Layout Guide TD-02, 08, 09  
Panel Offset Guide

**INSTALLATION:** Partially exploded through section showing typical installation method



# VERY LOW PROFILE VL RANGE

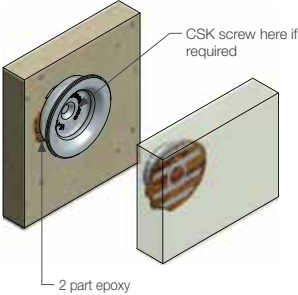
## VERY LOW PROFILE RANGE INSTALLATION GUIDE

### VERY LOW PROFILE RANGE Screw and Adhesive Fix

| VL-F3                                                                            | VL-M3                                                                             | VL-F3H                                                                            | VL-M3H                                                                            | VL-F3FR                                                                           | VL-M3FR                                                                           | VL-M3X                                                                            | USE WITH:                                                                         | INSTALL WITH:                                                                     |
|----------------------------------------------------------------------------------|-----------------------------------------------------------------------------------|-----------------------------------------------------------------------------------|-----------------------------------------------------------------------------------|-----------------------------------------------------------------------------------|-----------------------------------------------------------------------------------|-----------------------------------------------------------------------------------|-----------------------------------------------------------------------------------|-----------------------------------------------------------------------------------|
|  |  |  |  |  |  |  |  |  |
| 5kg                                                                              |                                                                                   | 10kg                                                                              |                                                                                   | 10kg                                                                              |                                                                                   | 25kg                                                                              | 2 part epoxy                                                                      |                                                                                   |

### INSTALLATION STEPS

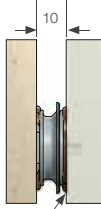
**1** Exploded view of typical installation (adhesive fix)



CSK screw here if required

2 part epoxy

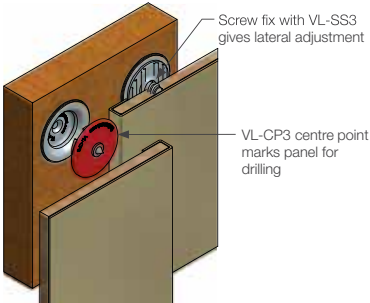
**2** Section through installed clip



10

2 part epoxy

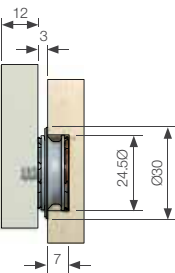
**3** Exploded view showing centre point marker, install option



Screw fix with VL-SS3 gives lateral adjustment

VL-CP3 centre point marks panel for drilling

**4** Section through recessed installation



12

3

24.50

7

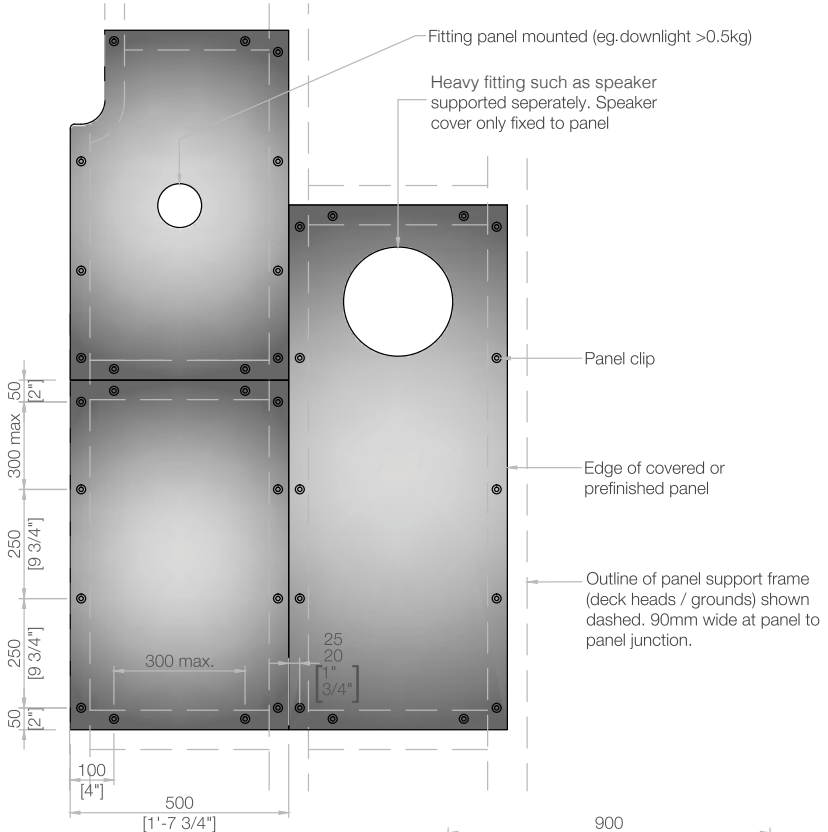
Ø30

MORE INFO: Clip Layout Guide TD-02 Product sheet VL-03

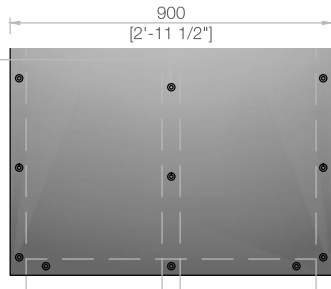
# LAYOUT GUIDE - ALL RANGES

## SMALL OR LIGHTWEIGHT CEILING PANEL

**TD-02**



For panels wider than 600  
add centre row of clips



Reflected plan view of ceiling panels & support grid.  
Read with Fastmount installation instructions.