

Peace of mind. Guaranteed.

Seismic restraint providing added security and control. The panel is suspended below the ceiling for convenient servicing behind the panel or controlled removal of the panel by releasing the wire.



PANELSAFE PS RANGE



PanelSafe restraint systems provide added security and control to panel removal.

With the use of the PanelSafe, a panel can be suspended below the ceiling for convenient servicing behind the panel or controlled removal of the panel. Suitable for use with the PC, LP, VL, MC and SL clip ranges. Ideal for inspection panels, large and/or heavy ceiling panels. To ensure quality installation and performance, installation and removal tools are available.

Note: custom products have a three week lead time.



PS-150 PANELSAFE 150MM

Suspends panel on removable stainless steel wire stroppers. Suitable for use in conjunction with any Fastmount ranges. Standard drop length 150mm, with custom lengths available on request. Install with CT-07, CT-03 and CT-10.

See pages 103, 109-110 for more technical details.



PS-150E PANELSAFE EASY FIT SELF TAPPING 150MM

Suspends panel on removable stainless steel wire stroppers. Suitable for use in conjunction with any of the Fastmount range of clips. Standard drop length 150mm, with custom lengths available on request. Install with CT-10.

See pages 104, 111-112 for more technical details.



PS-S150E PANELSAFE EASY FIT SURFACE MOUNT 150MM

Suspends panel on removable stainless steel wire stroppers. Suitable for use in conjunction with any of the Fastmount range of clips. Standard drop length 150mm, with custom lengths available on request. Screw or glue fix with a 2 part epoxy to panel.

See pages 105, 111-112 for more technical details.



PS-SR225S & PS-SR225SS PANELSAFE SEISMIC RESTRAINT

Seismic restraint available in galvanised or stainless steel with simple screw fix installation. For use with both ceiling and wall panels in high volume applications. Compatible with any range of Fastmount clips. Drop length 225mm.

See pages 107-108, 113-114 for more technical details.

TOOLS

CT-07



CT-03



CT-10



CT-22



PANELSAFE PS RANGE

PS-150 PRODUCT GUIDE

PS-150 PanelSafe - Self Tapping Male

PanelSafe restraint systems The PS-150 is for use with substrates with a cavity behind that can accommodate the spring, provide added security and control. The panel is suspended below the ceiling for convenient servicing behind the panel or controlled removal of the panel by releasing the wire. For use with Fastmount clips and installation tools.

Standard 150mm drop, custom lengths available on request.

PS-150



USE WITH:

- PC Standard Range
- LP Low Profile Range
- VL Very Low Profile Range
- MC Metal Range

MORE INFO:

- Installation Guide PS-150
- Clip Layout Guide PS-150

MATERIAL:

Silver Aluminium/stainless steel

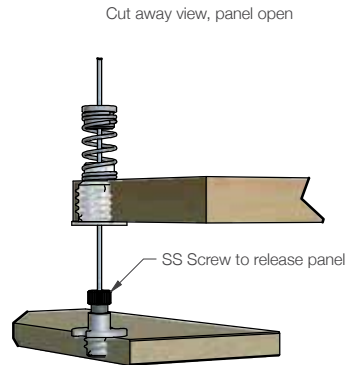
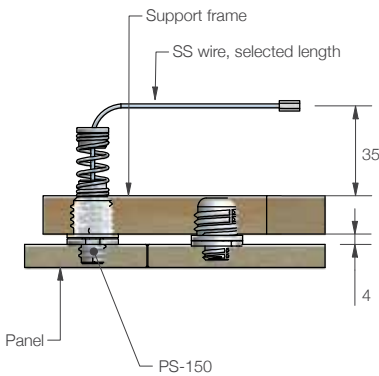
BENEFITS

- Provides extra security for heavy panels
- Easy one-person removal of large panels
- Convenient servicing behind panel without full removal
- Prevents panels falling during fire exit
- Works with existing Fastmount clips
- Variable length to suit application
- Self tapping option available

APPLICATIONS

- Heavy panels
- Large panels
- Thin walled panels requiring adhesive mounting
- Inspection and service panels
- Panels above valuable furniture and artwork

INSTALLATION: Partially exploded through section showing typical installation method



PANELSAFE PS RANGE

PS-150E PRODUCT GUIDE

PS-150E PanelSafe Easy Fit - Self Tapping Male

PanelSafe Easy Fit restraint systems provide added security and control. The panel is suspended below the ceiling for convenient servicing behind the panel or controlled removal of the panel by releasing the wire. For use with Fastmount system clips and installation tools. The PS-150 is for use with substrates with a cavity behind that can accommodate the spring.

PS-150E



USE WITH:

PC Standard Range
LP Low Profile Range
VL Very Low Profile Range
MC Metal Range
SL-SMT1

MATERIAL:

Silver Aluminium/stainless steel

MORE INFO:

Installation Guide PS-150E
 Clip Layout Guide PS-150E

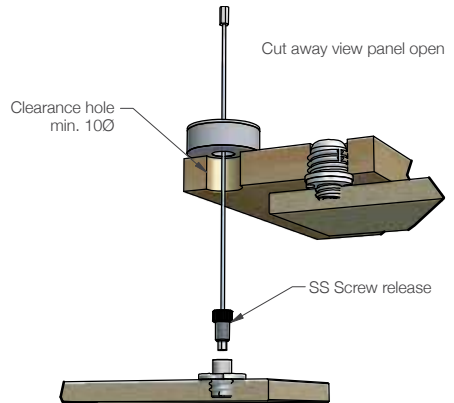
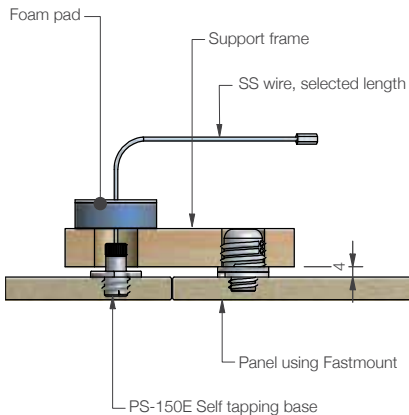
BENEFITS

- Provides extra security for heavy panels
- Easy one person removal of large panels
- Convenient servicing behind panel without full removal
- Prevents panels falling during fire exit
- Works with existing Fastmount clips
- Variable length to suit application
- Surface mount option available

APPLICATIONS

- Heavy panels
- Large panels
- Inspection and service panels
- Panels above valuable furniture and artwork

INSTALLATION: Partially exploded through section showing typical installation method



PANELSAFE PS RANGE

PS-150E PRODUCT GUIDE

PS-S150E PanelSafe Easy Fit - Surface Mount

PanelSafe Easy Fit restraint systems provide added security and control. The panel is suspended below the ceiling for convenient servicing behind the panel or controlled removal of the panel by releasing the wire. For use with Fastmount system clips and installation tools. The PS-S150E is for use with substrates with a cavity behind that can accommodate the spring.

PS-S150E



USE WITH:

- PC** Standard Range
- LP** Low Profile Range
- VL** Very Low Profile Range
- MC** Metal Range
- SL-SMT1**

MORE INFO:

Installation Guide PS-150E
Clip Layout Guide PS-150E

MATERIAL:

Silver Aluminium/stainless steel

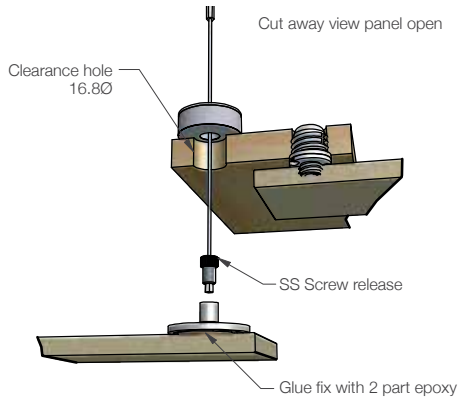
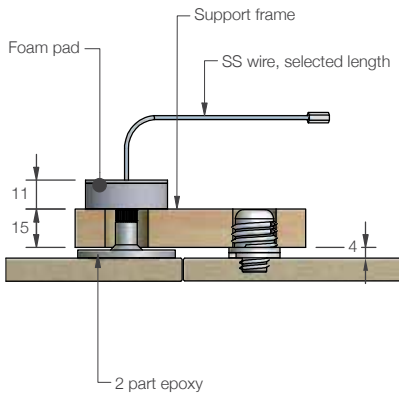
BENEFITS

- Provides extra security for heavy panels
- Easy one person removal of large panels
- Convenient servicing behind panel without full removal
- Prevents panels falling during fire exit
- Works with existing Fastmount clips
- Variable length to suit application
- Self tapping option available

APPLICATIONS

- Heavy panels
- Large panels
- Thin walled panels requiring adhesive mounting
- Inspection and service panels
- Panels above valuable furniture and artwork

INSTALLATION: Partially exploded through section showing typical installation method



Safe and secure.
Fast and easy.



An extension of the Fastmount PanelSafe range, the Seismount provides added security and ease of dismount for removable ceiling and wall panels. With the high volume, commercial customer in mind, its design was taken back to basics to deliver a cost effective system without sacrificing high performance, boasting a 144kg drop load resistance. Peace of mind on every panel.



Panel restraint solution:
PS-SR225S Seismount
Galvanised Steel – 225mm

PANELSAFE PS RANGE

PS-SR225S PRODUCT GUIDE

PS-SR225S Seismount™ Galvanised Steel – 225mm

The PanelSafe Seismount in galvanised steel is a strong solution for high volume architectural installation where added security and control of the panel is required. The Seismount allows the panel to be suspended below the ceiling for convenient servicing behind the panel or controlled removal of the panel. Install with M10 pan head screw or 6.3 x 8mm euro screw. Simply unhook the strap from the screws to remove the panel.

Drop length 225mm. 144kg break load for the PS-SR225S in both wall and ceiling applications.

PS-SR225S



USE WITH:

- PC Standard Range
- LP Low Profile Range
- VL Very Low Profile Range
- MC Metal Range
- SL Stratlock Range

MATERIAL:

Matt silver Galvanised steel

MORE INFO:

Installation Guide PS-SR225S

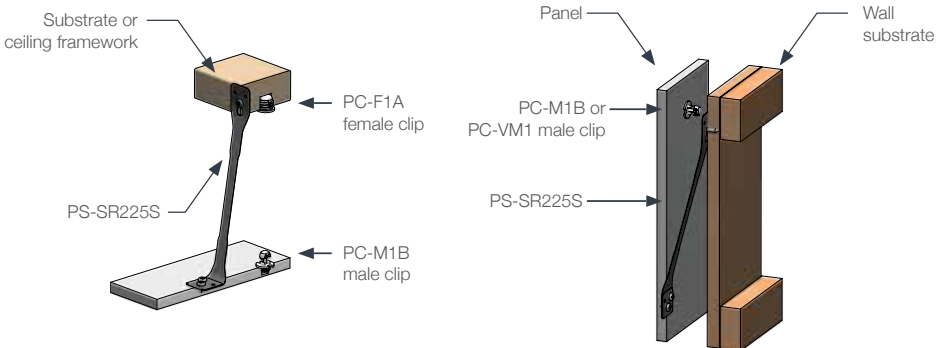
BENEFITS

- Low cost solution for high volume applications
- No special tools required for installation
- Install directly onto substrate face with screws
- Controlled removal of large panels
- Seismic security for overhead panels – prevents panels from falling

APPLICATIONS

- Ceiling panels
- Wall panels
- Large panels
- Inspection and service panels

INSTALLATION: Partially exploded through section showing typical installation method



PANELSAFE PS RANGE

PS-SR225SS PRODUCT GUIDE

PS-SR225SS Seismount™ Stainless Steel – 225mm

The PanelSafe Seismount in stainless steel is a strong solution for high volume marine installations where added security and control of the panel is required. The Seismount allows the panel to be suspended below the ceiling for convenient servicing behind the panel or controlled removal of the panel. Install with M10 pan head screw or 6.3 x 8mm euro screw. Simply unhook the strap from the screws to remove the panel.

Drop length 225mm. 144kg break load for the PS-SR225SS in both wall and ceiling applications.

PS-SR225SS



USE WITH:

PC Standard Range
LP Low Profile Range
VL Very Low Profile Range
MC Metal Range
SL Stratlock Range

MATERIAL:

Silver Stainless steel

MORE INFO:

Installation Guide PS-SR225S

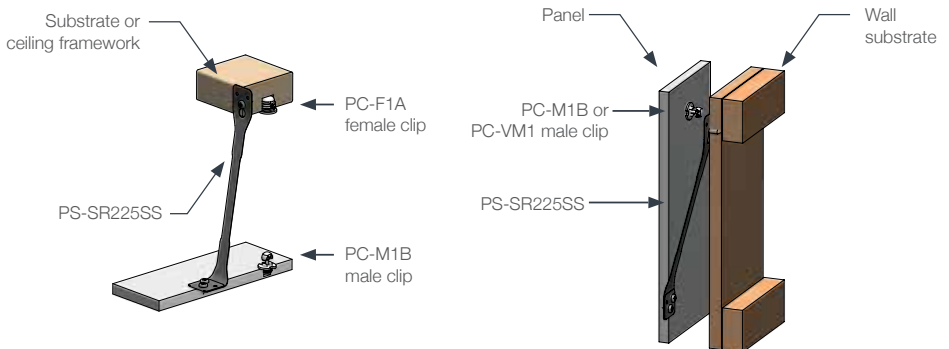
BENEFITS

- Low cost solution for high volume applications
- No special tools required for installation
- Install directly onto substrate face with screws
- Controlled removal of large panels
- Seismic security for overhead panels – prevents panels from falling
- Stainless steel composition for longevity in marine applications

APPLICATIONS

- Ceiling panels
- Wall panels
- Large panels
- Inspection and service panels

INSTALLATION: Partially exploded through section showing typical installation method



PANELSAFE PS RANGE

PS-150 INSTALLATION GUIDE

PS-150 PanelSafe Restraint System

PS-150



USE WITH:

PC Standard Range
LP Low Profile Range
VL Very Low Profile Range
MC Metal Range

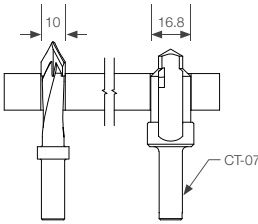
INSTALL WITH:

CP-01ST CT-01 CT-09 CT-07 CT-03 CT-10

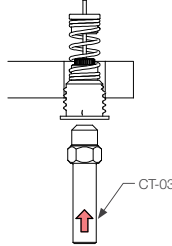


INSTALLATION STEPS Page 1

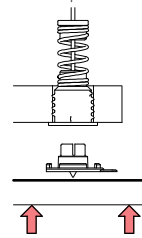
- 1** Drill hole through panel and frame



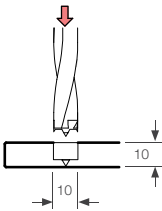
- 2** Screw PanelSafe in 16.8Ø hole



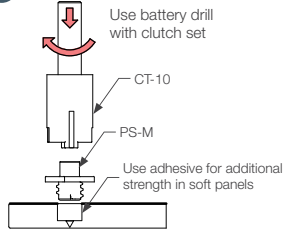
- 3** Fit CP-01ST into PanelSafe to mark panel



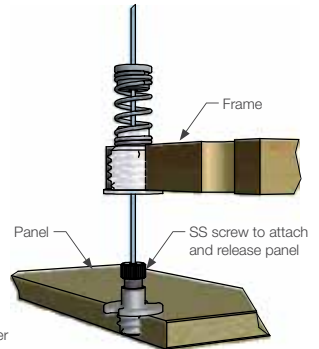
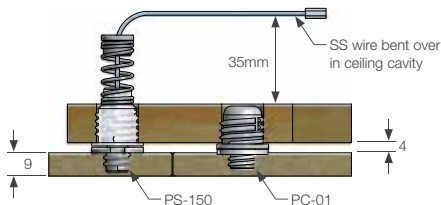
- 4** Drill panel on center mark 7.5mm deep



- 5** Screw fit PS-M with CT-10










- 6** Completed installation



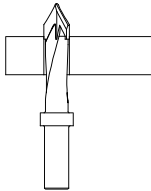
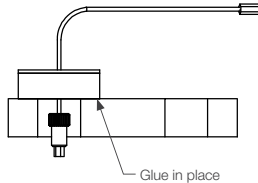
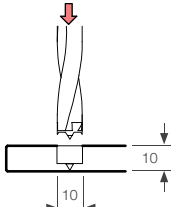
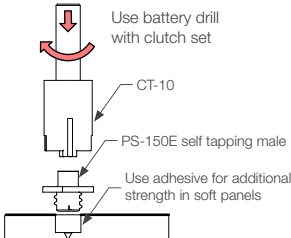
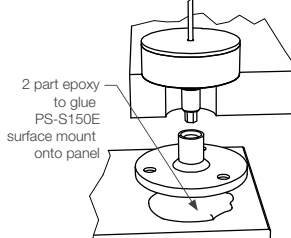
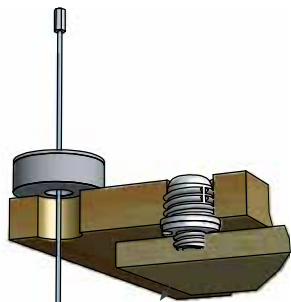
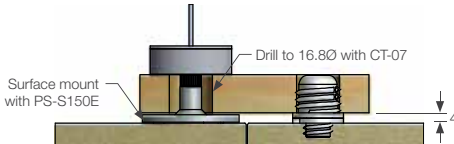
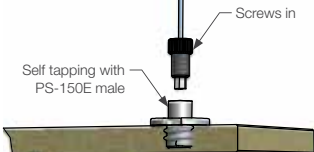
PANELSAFE PS RANGE

PS-150E & PS-S150E INSTALLATION GUIDE

PS-150E & PS-S150E PanelSafe Easy Fit Restraint System

<div style="display: flex; justify-content: space-around;"> <div style="text-align: center;"> <p>PS-150E</p>  </div> <div style="text-align: center;"> <p>PS-S150E</p>  </div> </div>	<p>USE WITH:</p> <ul style="list-style-type: none"> PC Standard Range LP Low Profile Range VL Very Low Profile Range MC Metal Range 	<p>INSTALL WITH:</p> <div style="display: flex; justify-content: space-around; align-items: center;"> <div style="text-align: center;"> <p>CP-01ST</p>  </div> <div style="text-align: center;"> <p>CT-01</p>  </div> <div style="text-align: center;"> <p>CT-09</p>  </div> <div style="text-align: center;"> <p>CT-07</p>  </div> <div style="text-align: center;"> <p>CT-10</p>  </div> </div>
--	--	---

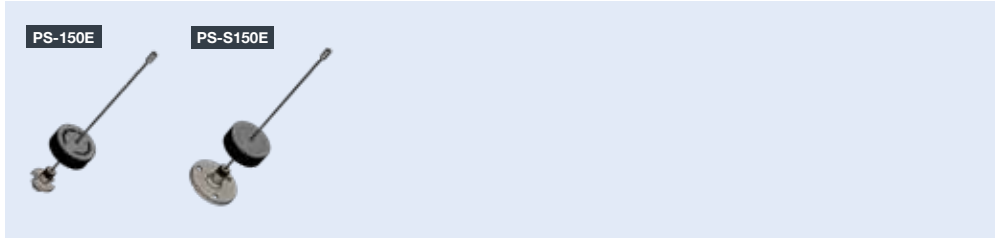
INSTALLATION STEP OPTIONS Refer to product sheets PS-150E & PS-S150E for more information

<p>1 Drill hole through support frame</p> 	<p>2 Fit PanelSafe in 100 to 16.8Ø hole</p> 	<p>3 Self tapping screw in option. Drill panel on center mark 7.5mm deep.</p> 
<p>4 Screw fit PS-M with CT-10</p> 	<p>Surface mount option</p> 	
<p>6 Completed installation</p> 		

PANELSAFE PS RANGE

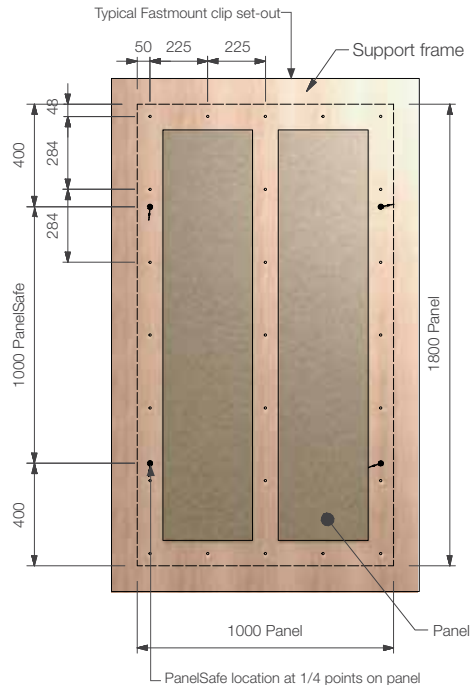
PS-150E & PS-S150E INSTALLATION GUIDE

PS-150E & PS-S150E PanelSafe Easy Fit Restraint System



INSTALLATION STEP OPTIONS

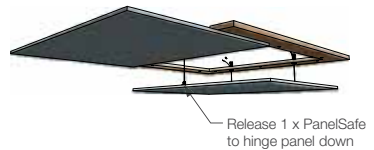
- A** Plan view of panel from above with 4 x PanelSafe
Larger or more flexible panels may require extra PanelSafes for correct support. Each PanelSafe has a static load of 150kgs and a drop load of 10kgs.



- B** End view with panel down



- C** Plan view of small panel from above with 3 x PanelSafe




PANELSAFE PS RANGE

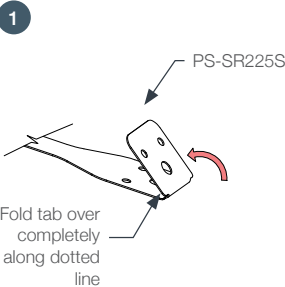
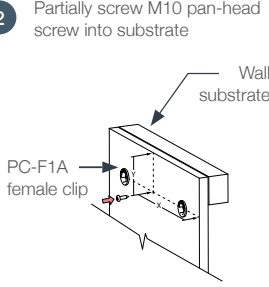
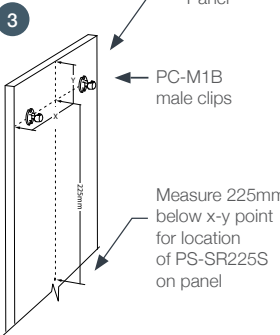
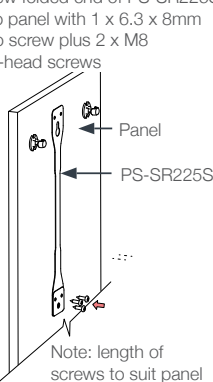
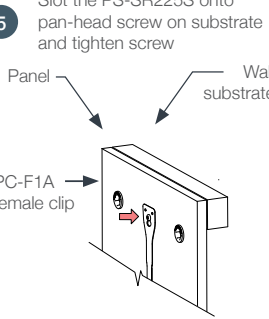
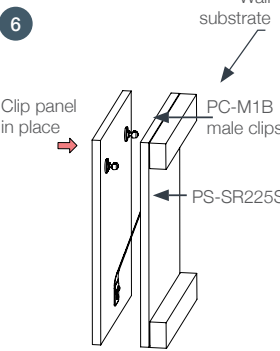
PS-SR225S & PS-SR225SS INSTALLATION GUIDE

PS-SR225S & PS-SR225SS Seismount – 225mm

PS-SR225S	USE WITH: PC Standard Range LP Low Profile Range VL Very Low Profile Range MC Metal Range SL Stratlock Range	INSTALL WITH: M10 pan head screw 6.3 x 8mm euro screw
------------------	--	--




INSTALLATION STEPS FOR WALLS

<p>1</p>  <p>PS-SR225S</p> <p>Fold tab over completely along dotted line</p>	<p>2</p>  <p>Wall substrate</p> <p>PC-F1A female clip</p>	<p>3</p>  <p>Panel</p> <p>PC-M1B male clips</p> <p>Measure 225mm below x-y point for location of PS-SR225S on panel</p>
<p>4</p>  <p>Screw folded end of PS-SR225S onto panel with 1 x 6.3 x 8mm Euro screw plus 2 x M8 pan-head screws</p> <p>Panel</p> <p>PS-SR225S</p> <p>Note: length of screws to suit panel thickness</p>	<p>5</p>  <p>Panel</p> <p>Wall substrate</p> <p>PC-F1A female clip</p>	<p>6</p>  <p>Wall substrate</p> <p>Clip panel in place</p> <p>PC-M1B male clips</p> <p>PS-SR225S</p>

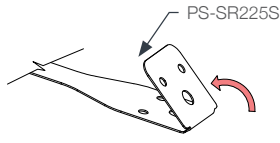
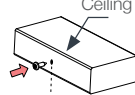
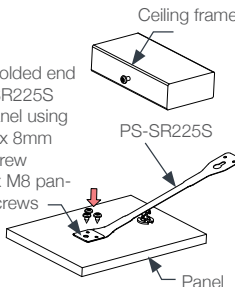
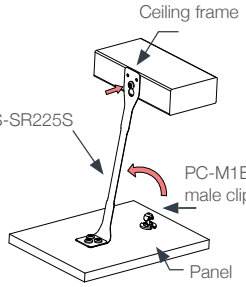
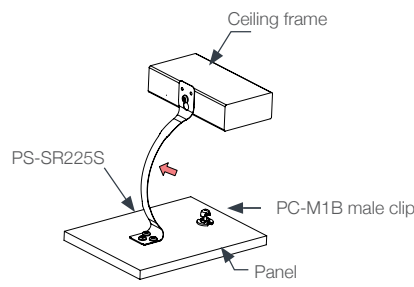
PANELSAFE PS RANGE

PS-SR225S & PS-SR225SS INSTALLATION GUIDE

PS-SR225S & PS-SR225SS Seismount – 225mm

 <p>PS-SR225S</p> <p>PS-SR225SS</p>	<p>USE WITH:</p> <ul style="list-style-type: none"> PC Standard Range LP Low Profile Range VL Very Low Profile Range MC Metal Range SL Stratlock Range 	<p>INSTALL WITH:</p> <p>M10 pan head screw 6.3 x 8mm euro screw</p>
---	---	--

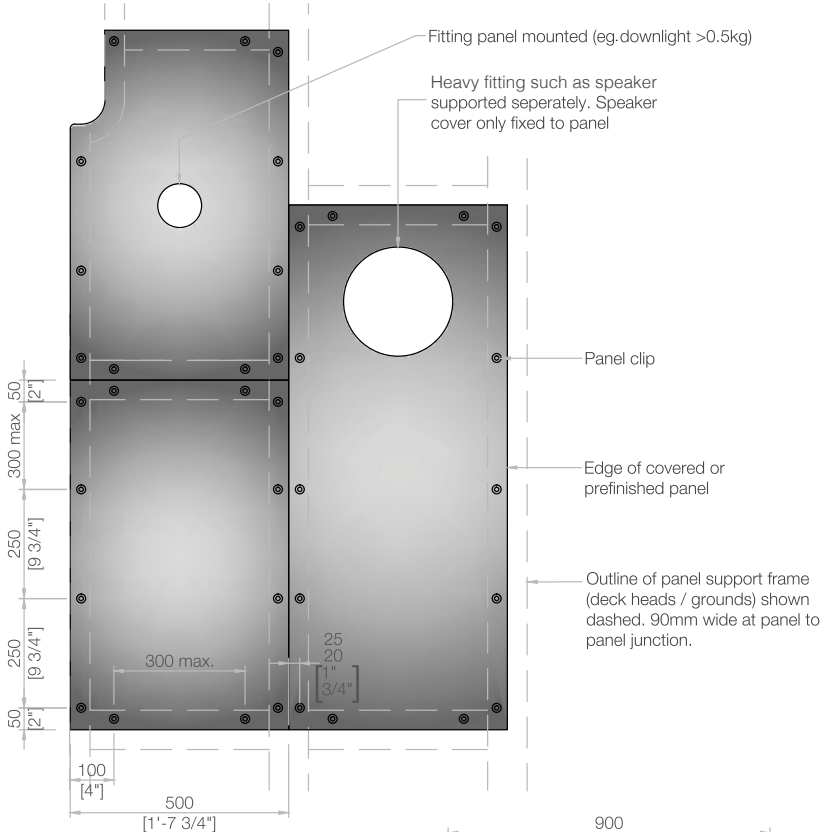
INSTALLATION STEPS FOR CEILINGS

<p>1</p>  <p>PS-SR225S</p> <p>Fold tab over completely along dotted line</p>	<p>2</p> <p>Partially screw M10 pan-head screw into substrate</p>  <p>Ceiling frame</p> <p>Mark position of PS-SR225S on panel</p> <p>40mm</p>	<p>3</p>  <p>Ceiling frame</p> <p>PS-SR225S</p> <p>Panel</p> <p>Screw folded end of PS-SR225S onto panel using 1 x 6.3 x 8mm Euro screw plus 2 x M8 pan-head screws</p> <p>Note: screw length to suit panel thickness</p>
<p>4</p> <p>Fold up SR and slot the PS-SR225S onto screw in substrate and tighten screw</p>  <p>Ceiling frame</p> <p>PS-SR225S</p> <p>PC-M1B male clip</p> <p>Panel</p>	<p>5</p> <p>Before pushing panel into position on substrate, ensure that PS-SR225S is bent inwards to ensure correct bending function when clipping panel into place inwards to encourage correct bend orientation</p>  <p>Ceiling frame</p> <p>PS-SR225S</p> <p>PC-M1B male clip</p> <p>Panel</p>	

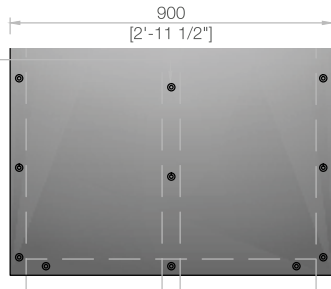
LAYOUT GUIDE - ALL RANGES

SMALL OR LIGHTWEIGHT CEILING PANEL

TD-02



For panels wider than 600 add centre row of clips



Reflected plan view of ceiling panels & support grid.
Read with Fastmount installation instructions.