



Change  
panels  
whenever  
you want.



*ASB Bank, New Zealand*

• LP-DF8 + LP-SM8AS



Panel mounting solution:  
**LP-DF8** - drywall  
**LP-SM8AS** - panel

# LOW PROFILE LP RANGE

## LP-F8 PRODUCT GUIDE

### LP-F8 Low Profile Self Tapping Female

The LP-F8 self-tapping female is designed for fitting into substrates with min. 9mm thickness. Compatible with all female clips in the Low Profile Range (pull out load determined by male clip used. Refer to Panel Offset Guide for gap between substrate and panel, pull out and shear loads.

LP-F8



#### MATERIAL:

White Acetal copolymer

#### USE WITH:

LP-M8A



LP-SM8AS



LP-SM8H



LP-SMX



#### MORE INFO:

Installation Guide LP-F8  
Clip Layout Guide TD-02, TD-08  
Panel Offset Guide

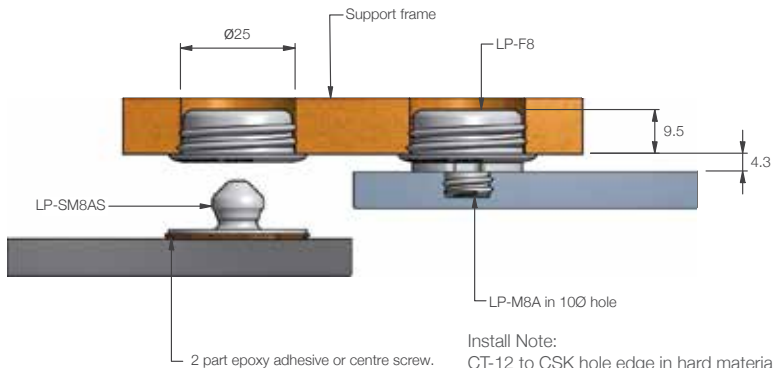
#### BENEFITS

- Hidden fixing
- Self taps into substrates from 9mm thick
- Perfect panel alignment and secure mounting every time
- Remove and refit panels in any sequence multiple times
- 5kg or 15kg pull out load per clip
- Allows for flexing and expansion of panel and support frame

#### APPLICATIONS

- Suitable for covered, painted and prefinished panels
- Suitable for carbon/ foam core substrates
- Refits and upgrades of existing installations
- Bedheads, artwork
- Composites and thin-walled panels

**INSTALLATION:** Partially exploded through section showing typical installation method



#### Install Note:

CT-12 to CSK hole edge in hard material (1-2mm)  
For more solid substrates such as fibreglass,  
use a 27 x 3mm tap to pre-thread the hole before  
installing the LP-F8

# LOW PROFILE LP RANGE

## LP-AF8A PRODUCT GUIDE

### LP-AF8A Low Profile Autofit Female

The LP-AF8A female clip provides 360 degree lateral adjustment, fitting into a 35ø hole. The LP-AF8A mounts into a variety of substrates, and is compatible with all male clips in the Low Profile Range. Refer to Panel Offset Guide for gap between substrate and panel, pull out and shear loads.

#### LP-AF8A



#### USE WITH:

LP-M8A

LP-SM8AS

LP-SM8H



LP-SMX



#### MATERIAL:

White Acetal copolymer

#### MORE INFO:

Layout Guide TD-02, TD-08  
Panel Offset Guide

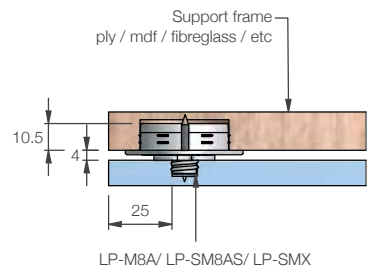
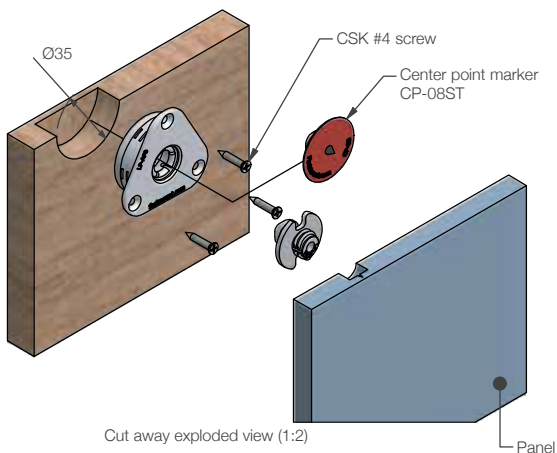
#### BENEFITS

- Hidden fixing with 8mm lateral adjustment
- Screw or glue into plywood min. 9mm thick
- Perfect panel alignment and secure mounting every time
- Remove and refit panels in any order multiple times
- 5kg or 15kg pull out load per clip
- Allows for flexing and expansion of panel and support frame

#### APPLICATIONS

- Covered or painted and prefinished panels
- Curved panels
- Refits and upgrades of existing installations
- Where installation tolerance is required
- Can be moulded into fibreglass
- Moulded into hull

**INSTALLATION:** Partially exploded through section showing typical installation method



# LOW PROFILE LP RANGE

## LP-DF8 PRODUCT GUIDE

### LP-DF8 Tapping Coarse Thread Female

The LP-DF8 is specifically designed for soft core material such as drywall. A wide thread self-taps securely into plasterboard (drywall). Compatible with LP-M8A and LP-SM8AS. Not for use with LP-SMX due to high pull out load. Refer to Panel Offset Guide for gap between substrate and panel, pull out and shear loads.

#### LP-DF8



#### MATERIAL:

White Acetal copolymer

#### USE WITH:

LP-M8A

LP-SM8AS

LP-SM8H



#### MORE INFO:

Installation Guide LP-DF8  
Clip Layout Guide TD-02, TD-08  
Panel Offset Guide

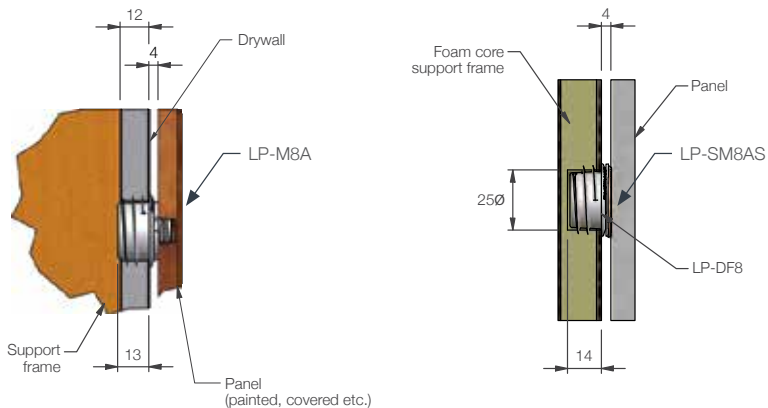
#### BENEFITS

- Hidden fixing
- Self taps into drywall plasterboard min. 10mm thick
- Perfect panel alignment with secure mounting every time
- Remove and refit panels in any sequence multiple times
- 5kg pull out load per clip
- Allows for flexing and expansion of panel

#### APPLICATIONS

- Covered or painted and prefinished panels
- Acoustic panels
- Refits and upgrades of existing installations
- Bed heads, artwork

**INSTALLATION:** Partially exploded through section showing typical installation method



# LOW PROFILE LP RANGE

## LP-M8A PRODUCT GUIDE

### LP-M8A Self Tapping Male - 5kg

The LP-M8A is a male low profile self-tapping clip designed to mount easily into plywood and MDF panels. Compatible with the LP-F8, LP-DF8 and LP-AF8A, the LP-M8A allows mounting of panels into a variety of substrate types, including plasterboard. Refer to Panel Offset Guide for gap between substrate and panel, pull out and shear loads.

#### LP-M8A



#### USE WITH:

LP-F8

LP-DF8



LP-AF8A



#### MATERIAL:

White Acetal copolymer

#### MORE INFO:

Installation Guide LP-F8  
Layout Guide TD-Q2, TD-08  
Panel Offset Guide

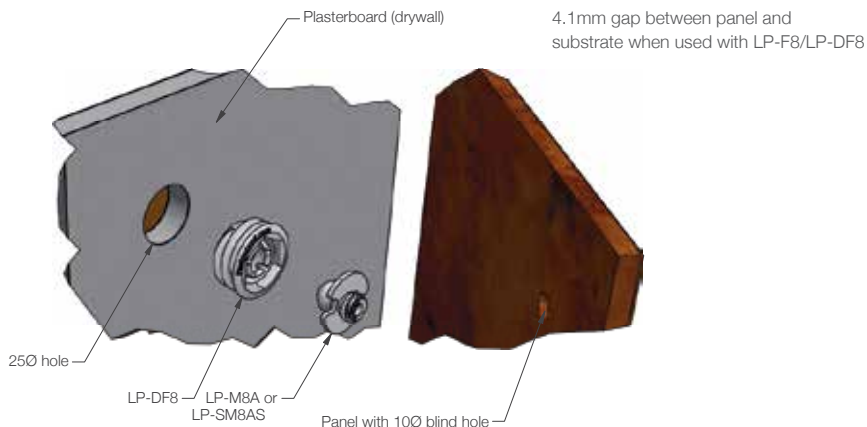
#### BENEFITS

- Invisible fixing to enhance panel appearance
- Self taps into plywood or MDF with minimum 6 mm thickness
- 5kg pull out load per clip set
- Remove and replace panels in any sequence 500+ times
- 4mm clearance between panel and substrate
- CNC machine compatibility
- Acoustic isolation

#### APPLICATIONS

- Wall panels
- Lightweight ceiling panels
- Covered, painted and prefinished panels
- Interior panels
- Bedheads, artwork

**INSTALLATION:** Partially exploded through section showing typical installation method



# LOW PROFILE LP RANGE

## LP-SM8AS PRODUCT GUIDE

### LP-SM8AS Surface Mount Male Adhesive Fix - 5kg

The LP-SM8AS is a male low profile clip with a surface mount installation. Featuring Fastmount's patented SuperGroove base, the grooves mechanically engage into the a 2 part epoxy to create a bond that supports a 5kg pull out load. Ideal for thin panels or panels where drilling into the surface is not possible. The clip also offers an option to screw fix directly through the head for rapid installation. Mounts into LP-F8, LP-DF8 and LP-AF8A female clips. Refer to Panel Offset Guide for gap between substrate and panel, pull out and shear loads.

#### LP-SM8AS



#### MATERIAL:

White Acetal copolymer

#### USE WITH:

LP-F8

LP-DF8

LP-AF8A



#### MORE INFO:

Installation Guide LP-F8  
Clip Layout Guide TD-02, TD-08  
Panel Offset Guide

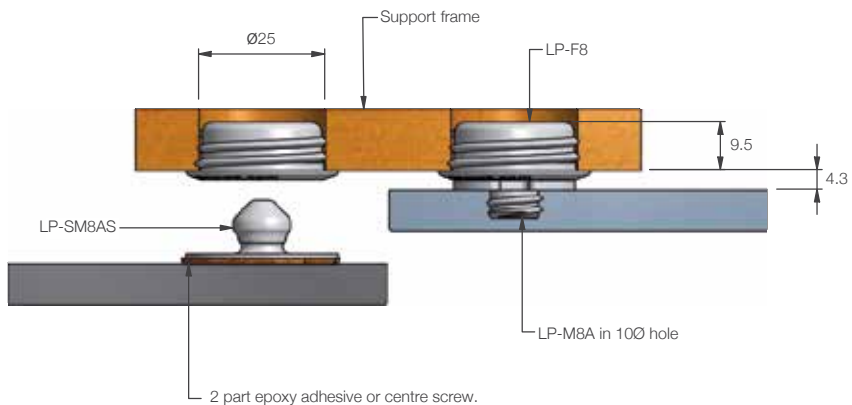
#### BENEFITS

- No special tools required for installation
- Adhesive or screw fix
- 5kg pull out load
- 4.3mm clearance between panel and substrate
- CNC machine compatibility
- Acoustic isolation

#### APPLICATIONS

- Thin wall panels
- Lightweight ceiling panels
- Covered, painted or prefinished panels
- Interior panels
- Refit and upgrade work

**INSTALLATION:** Partially exploded through section showing typical installation method



# LOW PROFILE LP RANGE

## LP-SM8H PRODUCT GUIDE

### LP-SM8H Surface Mount Male Screw Fix – 10kg

The LP-SM8H adds a mid-range option to the Low Profile Range. With a 10kg pull out load, the clip is designed for use with plywood or MDF panels that are between 9-16mm thick, or aluminium honeycomb panels, and is compatible with the LP-F8, LP-DF8 or LP-AF8A. The surface mount clip installs easily with 3 x countersink #6 screws, removing the need for special tools for installation. Ideal for large panels with limited panel depth. Refer to Panel Offset Guide for gap between substrate and panel, pull out and shear loads. Note: Minimum 13mm thick drywall to be used with LP-DF8 when using LP-SM8H on panels.

#### BENEFITS

- Invisible panel fixing
- Installs with 3 x #6 countersink screws
- No special tools required
- 10kg pull out load per clip
- Durable design for frequent handling
- Enables non-sequential panel installation
- CNC machine compatibility
- 4mm clearance between panel and substrate
- Screw fix enables installation into wide variety of panel types
- Self-centring - no need for a centrepoint (CP-08ST)

#### APPLICATIONS

- Plywood or MDF panels 9-16mm thick
- Interior panels
- Ceiling panels
- Aluminium honeycomb panels
- Moulded into hull
- Marine and architectural applications

**LP-SM8H** 10kg



#### USE WITH:

LP-F8



LP-AF8A



LP-DF8



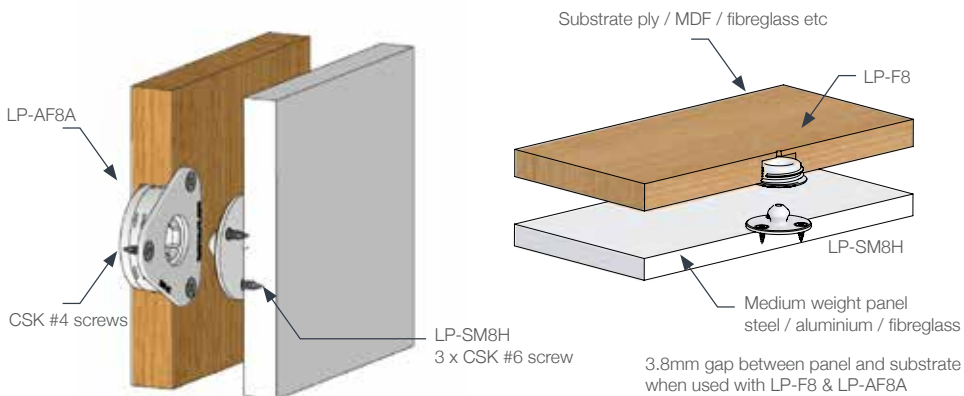
#### MATERIAL:

White Acetal copolymer

#### MORE INFO:

Installation Guide LP-SM8H  
Layout Guide TD-02, TD-08  
Panel Offset Guide

**INSTALLATION:** Partially exploded through section showing typical installation method



# LOW PROFILE LP RANGE

## LP-SMX PRODUCT GUIDE

### LP-SMX Surface Mount Male Screw Fix – 15kg

The LP-SMX clip adds an extra heavy-duty option to the Low Profile Range. With a 15kg pull out load, the clip is designed for use with heavyweight panels, and is compatible with the LP-F8, and LP-AF8A. The surface mount clip installs easily with 3 x countersink #6 screws, removing the need for special tools for installation. Ideal for large and heavyweight panels with limited panel depth. NOTE: Should not be used with LP-DF8 installing into drywall substrate, due to strength of the clip. Refer to Panel Offset Guide for gap between substrate and panel, pull out and shear loads.

**LP-SMX** 15kg



**USE WITH:**

LP-F8

LP-AF8A



**MATERIAL:**

Black GF Nylon

**MORE INFO:**

Installation Guide LP-SM8H  
Layout Guide TD-02, TD-08  
Panel Offset Guide

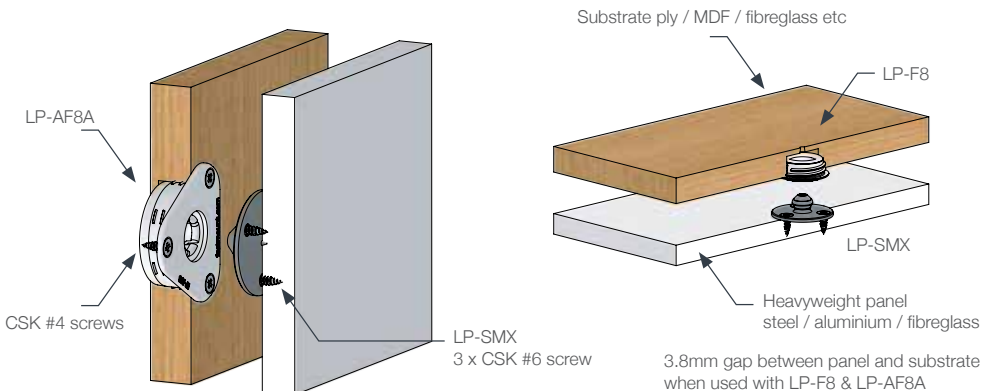
#### BENEFITS

- Invisible panel fixing
- Installs with 3 x #6 countersink screws
- No special tools required
- 15kg pull out load per clip
- Durable design for frequent handling
- Enables non-sequential panel installation
- CNC machine compatibility
- 4mm clearance between panel and substrate
- Screw fix enables installation into wide variety of panel types

#### APPLICATIONS

- Heavyweight wall panels with minimal depth
- Interior panels
- Ceiling panels
- Moulded into hull
- Marine and architectural applications
- Steel, aluminium or fibreglass panels

**INSTALLATION:** Partially exploded through section showing typical installation method



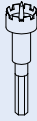





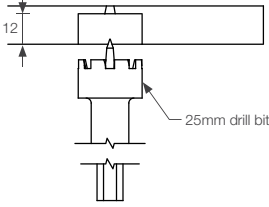
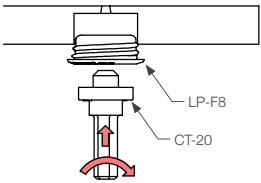
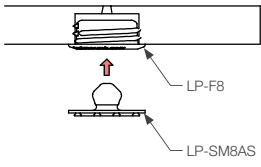

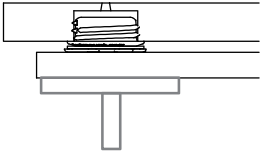
# LOW PROFILE LP RANGE

## LP-F8 & LP-SM8A INSTALLATION GUIDE

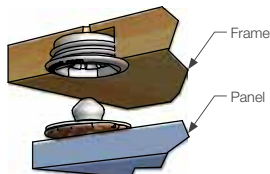
### LP-F8 & LP-SM8A Self tapping female and surface mount male

|                                                                                  |                                                                                   |                                                                                   |                                                                                   |
|----------------------------------------------------------------------------------|-----------------------------------------------------------------------------------|-----------------------------------------------------------------------------------|-----------------------------------------------------------------------------------|
| <b>LP-F8</b>                                                                     | <b>USE WITH:</b>                                                                  | <b>INSTALL WITH:</b>                                                              |                                                                                   |
|  | LP-SM8AS                                                                          | 25Ø drill                                                                         | CT-19                                                                             |
|                                                                                  |  |  |  |

### INSTALLATION STEPS Using LP-SM8AS - adhesive fix option

|                                                                                                                                                          |                                                                                                                                                                                                    |                                                                                                                                                        |
|----------------------------------------------------------------------------------------------------------------------------------------------------------|----------------------------------------------------------------------------------------------------------------------------------------------------------------------------------------------------|--------------------------------------------------------------------------------------------------------------------------------------------------------|
| <p><b>1</b> Drill 25Ø hole in frame</p>  <p>12</p> <p>25mm drill bit</p> | <p><b>2</b> Screw LP-F8 into frame, use battery drill with clutch set.</p>  <p>LP-F8</p> <p>CT-20</p>             | <p><b>3</b> Fit LP-SM8AS into LP-F8</p>  <p>LP-F8</p> <p>LP-SM8AS</p> |
| <p><b>4</b> Adhesive to LP-SM8AS</p>  <p>2 part epoxy</p>               | <p><b>5</b> Drill panel on mark with CT-09</p>  <p>Place panel in position, and support while adhesive dries</p> |                                                                                                                                                        |

**A** Cutaway view of installed clip (panel removed)



Install Note: CT-12 to CSK hole edge in hard material (1-2mm)

For more solid substrates such as fibreglass, use a 27 x 3mm tap to pre-thread the hole before installing the LP-F8



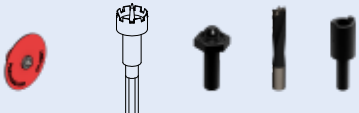


MORE INFO: Clip Layout guide TD-02 & TD-08

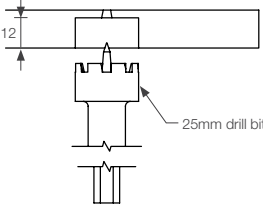
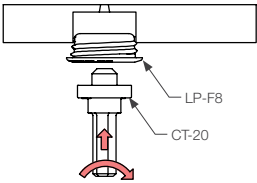
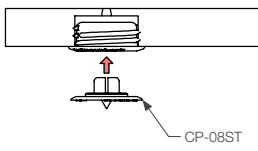
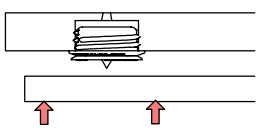
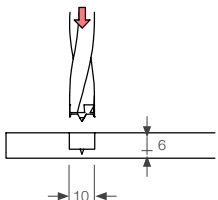
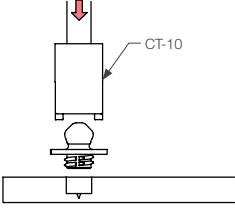
# LOW PROFILE LP RANGE

## LP-F8 & LP-M8A INSTALLATION GUIDE

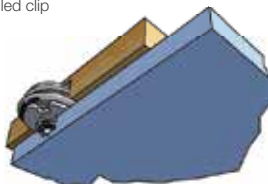
### LP-F8 & LP-M8A Self tapping male and female

|                                                                                                       |                                                                                                                         |                                                                                                                                                          |
|-------------------------------------------------------------------------------------------------------|-------------------------------------------------------------------------------------------------------------------------|----------------------------------------------------------------------------------------------------------------------------------------------------------|
| <p><b>LP-F8</b></p>  | <p><b>USE WITH:</b></p> <p>LP-M8A</p>  | <p><b>INSTALL WITH:</b></p> <p>CP-08ST 25Ø drill CT-19 CT-09 CT-10</p>  |
|-------------------------------------------------------------------------------------------------------|-------------------------------------------------------------------------------------------------------------------------|----------------------------------------------------------------------------------------------------------------------------------------------------------|

### INSTALLATION STEPS Using LP-M8A - self tapping option

|                                                                                                                                                           |                                                                                                                                                                                        |                                                                                                                                                                                 |
|-----------------------------------------------------------------------------------------------------------------------------------------------------------|----------------------------------------------------------------------------------------------------------------------------------------------------------------------------------------|---------------------------------------------------------------------------------------------------------------------------------------------------------------------------------|
| <p><b>1</b> Drill 25Ø hole in frame</p>  <p>12</p> <p>25mm drill bit</p> | <p><b>2</b> Screw LP-F8 into frame. Use battery drill with clutch set.</p>  <p>LP-F8</p> <p>CT-20</p> | <p><b>3</b> Fit CP-08ST centre point into LP-F8</p>  <p>CP-08ST</p>                           |
| <p><b>4</b> Press panel onto CP-08ST to mark</p>                       | <p><b>5</b> Drill panel on mark with CT-09</p>  <p>10</p> <p>6</p>                                   | <p><b>6</b> Screw fit LP-M8A with CT-10. Use battery drill with clutch set.</p>  <p>CT-10</p> |

**A** Cutaway view of installed clip



Install Note: CT-12 to CSK hole edge in hard material (1-2mm)

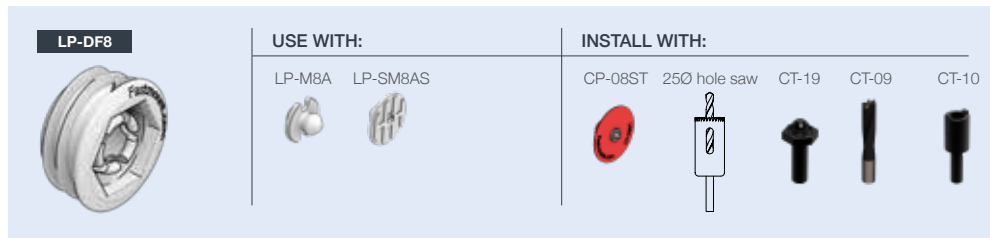
For more solid substrates such as fibreglass, use a 27 x 3mm tap to pre-thread the hole before installing the LP-F8

MORE INFO: Clip Layout guide TD-02 & TD-08

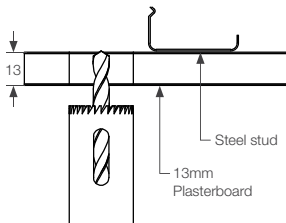
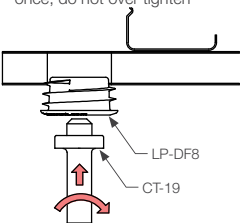
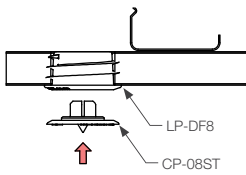
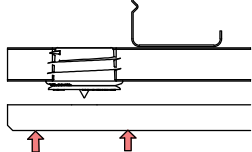
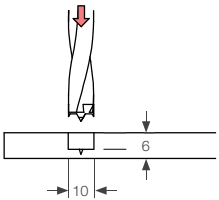
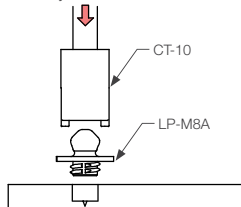
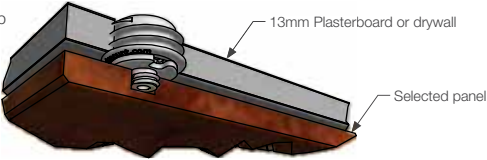
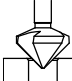
# LOW PROFILE LP RANGE

## LP-DF8 INSTALLATION GUIDE

### LP-DF8 Low Profile Drywall Self Tapping Coarse Thread Female








**INSTALLATION STEPS** Using LP-M8A - self tapping option. See LP-SM8AS for adhesive fix option

|                                                                                                                                                                                                                                                                                                                                                 |                                                                                                                                                                                                                            |                                                                                                                                                                                             |
|-------------------------------------------------------------------------------------------------------------------------------------------------------------------------------------------------------------------------------------------------------------------------------------------------------------------------------------------------|----------------------------------------------------------------------------------------------------------------------------------------------------------------------------------------------------------------------------|---------------------------------------------------------------------------------------------------------------------------------------------------------------------------------------------|
| <p><b>1</b> Drill 25Ø hole in drywall plasterboard</p>  <p>13<br/>Steel stud<br/>13mm Plasterboard</p>                                                                                                                                                          | <p><b>2</b> Screw LP-DF8 into drywall. Use battery drill with clutch set, fit only once, do not over tighten</p>  <p>LP-DF8<br/>CT-19</p> | <p><b>3</b> Fit CP-08ST centre point into LP-DF8</p>  <p>LP-DF8<br/>CP-08ST</p>                            |
| <p><b>4</b> Press panel onto CP-08ST to mark</p>                                                                                                                                                                                                               | <p><b>5</b> Drill panel on mark with CT-09</p>  <p>10 6 10</p>                                                                           | <p><b>6</b> Screw fit LP-M8A with CT-10, use battery drill with clutch set.</p>  <p>CT-10<br/>LP-M8A</p> |
| <p><b>A</b> Cutaway view of installed clip</p>  <p>13mm Plasterboard or drywall<br/>Selected panel</p> <p><b>NB.</b> CT-12 to CSK hole edge in hard material (1-2mm)</p>  |                                                                                                                                                                                                                            |                                                                                                                                                                                             |

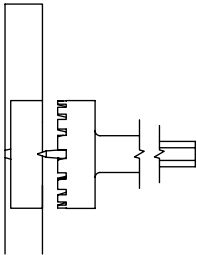
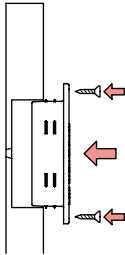
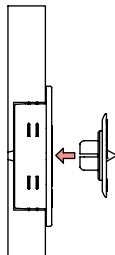
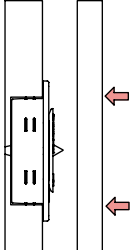
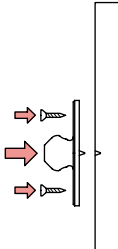
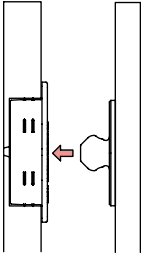
# LOW PROFILE LP RANGE

## LP-SM8H & LP-SMX INSTALLATION GUIDE

### LP-SM8H & LP-SMX Surface Mount Male Screw Fix – 10kg &15kg

| LP-SM8H                                                                           | LP-SMX                                                                            | USE WITH:                                                                         |                                                                                   | INSTALL WITH:                                                                     |                                                                                                    |
|-----------------------------------------------------------------------------------|-----------------------------------------------------------------------------------|-----------------------------------------------------------------------------------|-----------------------------------------------------------------------------------|-----------------------------------------------------------------------------------|----------------------------------------------------------------------------------------------------|
|  |  |  |  |  | 3 x #6 countersink screws<br>For installation into LP-F8, follow steps 1-4 on LP-F8 install guide. |

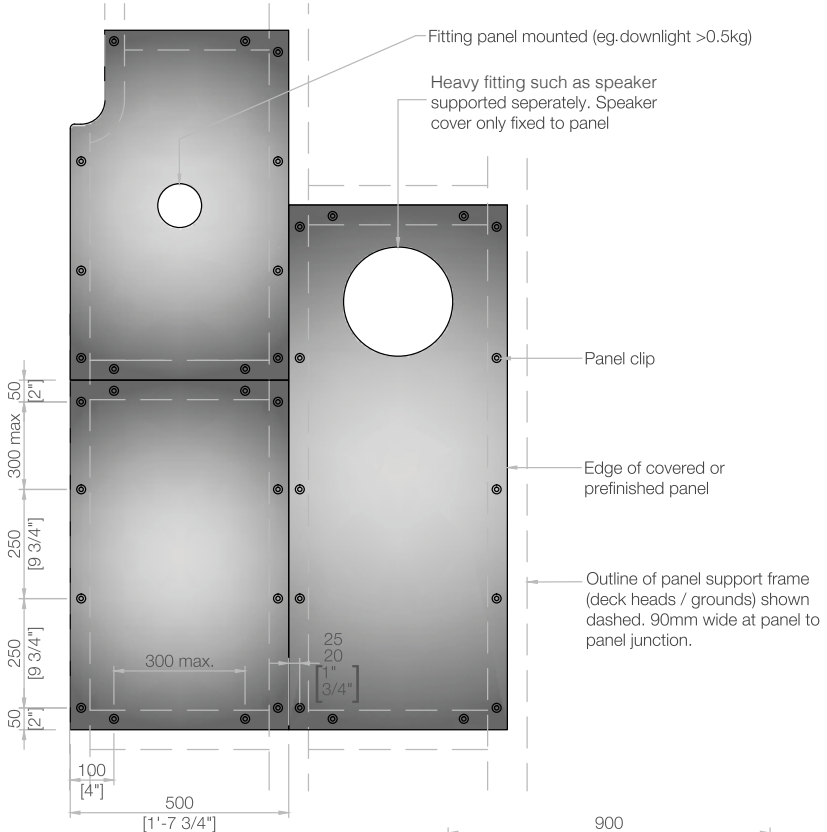
### INSTALLATION STEPS

|                                                                                                                                                    |                                                                                                                                                                                            |                                                                                                                                                  |
|----------------------------------------------------------------------------------------------------------------------------------------------------|--------------------------------------------------------------------------------------------------------------------------------------------------------------------------------------------|--------------------------------------------------------------------------------------------------------------------------------------------------|
| <p><b>1</b> Drill out 35Ø hole in substrate</p>                   | <p><b>2</b> Press LP-AF8A into drilled hole, fix with 3x #4 CSK screw</p>                                 | <p><b>3</b> Fit CP-08ST into LP-AF8A</p>                        |
| <p><b>4</b> Press panel onto CP-08ST to mark clip position</p>  | <p><b>5</b> Locate LP-SMX or LP-SM8H into marked position on panel, install with 3 x #6 CSK screws</p>  | <p><b>6</b> Align panel and press firmly to engage clips</p>  |

# LAYOUT GUIDE - ALL RANGES

## SMALL OR LIGHTWEIGHT CEILING PANEL

**TD-02**



For panels wider than 600 add centre row of clips

Reflected plan view of ceiling panels & support grid.  
Read with Fastmount installation instructions.

# LAYOUT GUIDE - LP RANGE

## LARGE WALL PANEL

TD-08

