

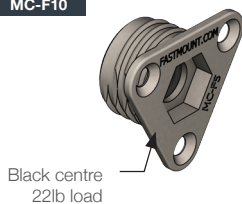
# METAL MC RANGE

## MC-F10 PRODUCT GUIDE

### MC-F10 Metal Clip Female - 22lb

The MC-F10, identified by the black centre, self taps or screw fixed into the substrate, before being installed with the MC-M5. Innately fire resistant and ideal for heavy load bearing. Refer to Panel Offset Guide for gap between substrate and panel, pull out and shear loads. Note: For use with wall panels only, not suitable for ceiling panel installation.

#### MC-F10



#### USE WITH:

MC-M5



#### BENEFITS

- Metal clip to withstand high temperatures
- Allows for tolerance and panel flex (self centring)
- Provides acoustic and vibration isolation
- 22lb pull out load
- Self tapping and screw fit mounting options

#### APPLICATIONS

- Suitable for mounting up to 88lb per yard<sup>2</sup>
- Fire-rated panels
- Panels in fire egress paths
- Suitable for wall panels only
- Mounting of curved panels
- Install into a variety of substrates

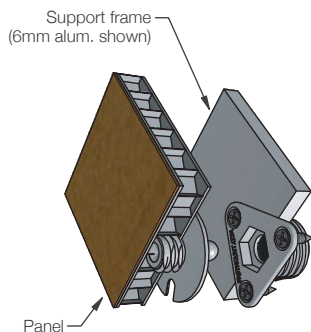
#### MATERIAL:

Silver/white centre EZDA 3 triple plated, SS spring

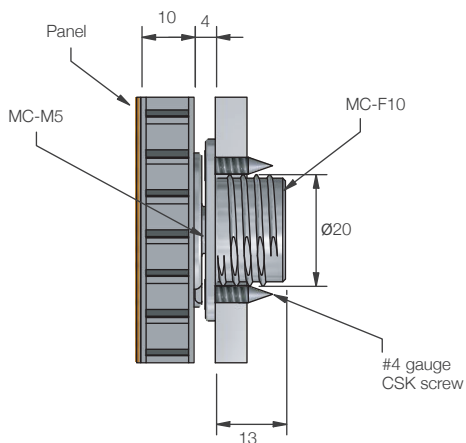
#### MORE INFO:

Installation Guide MC-M5/F5/F10  
Clip Layout Guide TD-02, 09, 12  
Panel Offset Guide

**INSTALLATION:** Partially exploded through section showing typical installation method



Cutaway exploded view (nts)



Typical section (1:1)