

STRATLOCK SL RANGE

SL-SMT1 PRODUCT GUIDE

SL-SMT1 Stratlock® Sidemount

The SL-SMT1 makes the Fastmount PanelSafe Easyfit or suspended ceiling rods compatible with the Stratlock Rail System. Easily positionable to locate around ceiling panel design, the SL-SMT1 allows installers to install PanelSafe Easyfits onto ceiling structures for the safe support of ceiling panels. M10 ceiling rods can also be threaded through the SL-SMT1 to suspend an entire Stratlock Rail System grid as a suspended ceiling. The SL-SMT1 has a push fit installation, fixes into position with screws, and can be used with other extrusions. The SL-SMT1 has a static load capacity of 110lb when used to suspend a ceiling, and 55lb shock load when used with the PanelSafe.

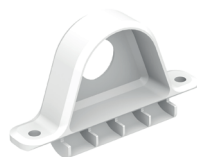
BENEFITS

- Enables compatibility with Fastmount PanelSafe Easyfit products
- Simple installation
- No special tools required for installation
- Enables Stratlock Rail System to be suspended from ceiling as a grid using M10 ceiling hanger

APPLICATIONS

- Commercial interior fit out
- Mounting heavier ceiling and wall panels
- Hotels, hospitals, retail, residential
- Superyacht deckheads
- Fire-rated interiors

SL-SMT1



NEW !

MATERIAL:
White GF Nylon

USE WITH:

Stratlock Rail System

PS-150E
PS-S150E

or

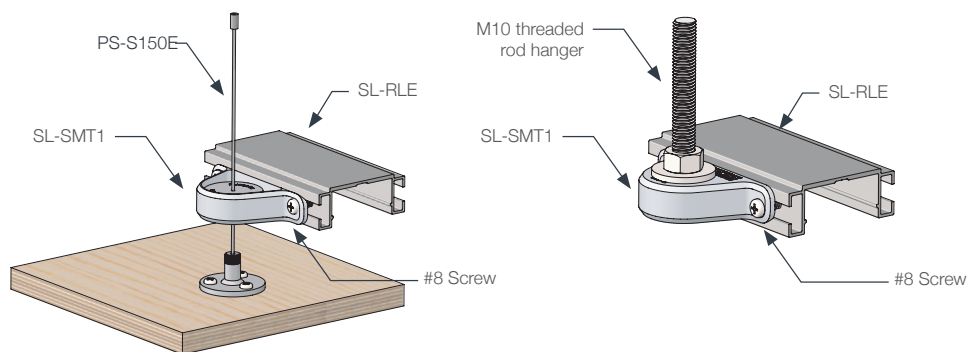
M10 THREADED
ROD HANGER



MORE INFO:

Installation Guide SL-SMT1
Clip Layout Guide TD-21
Refer to online Technical Guide

INSTALLATION: Partially exploded through section showing typical installation method



Stratlock SL-RLE shown.