

STANDARD PC RANGE

PC-RF1 PRODUCT GUIDE

PC-RF1 Side Mount Female Screw Fix

The PC-RF1 is ideal for applications that require side mounting, such as refit, cabinet construction or securing floor panels. This versatile screw-fixed clip works with all male clips from the Standard Range. Compatible with all male clips in the Standard Range (pull out load depends on male clip used). Refer to Panel Offset Guide for information about gap between substrate and panel, pull out and shear loads.

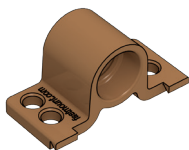
BENEFITS

- Side mounting
- Installation requires no special tools
- Screw fixed to frame
- Several mounting options
- Compatible with all male Standard Range clips
- Allows for flexing and expansion of panel and support

APPLICATIONS

- Ceiling and wall panels
- Cabinet assembly and shelf support
- Refits and upgrades of existing installations
- Variety of substrates
- Floor panels
- Inspection hatches

PC-RF1



USE WITH:

PC-M1B

PC-VM1

PC-SM2



PC-M2H

PC-VMX

PC-SVMX

PC-SM2H



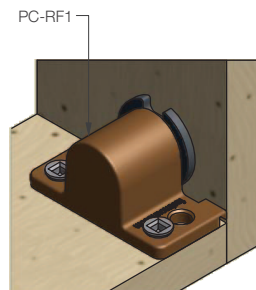
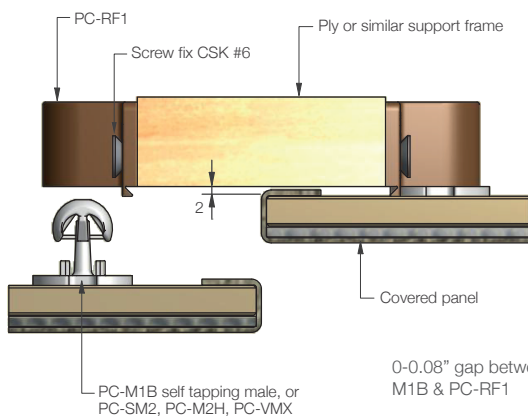
MATERIAL:

Brown Acetal copolymer

MORE INFO:

Installation Guide PC-RF1
Clip Layout Guide TD-02, 09, 12
Panel Offset Guide

INSTALLATION: Partially exploded through section showing typical installation method



Corner detail at cabinet or shelf