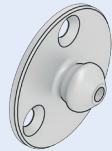
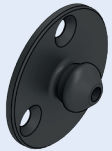




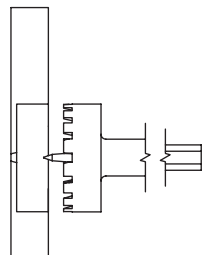
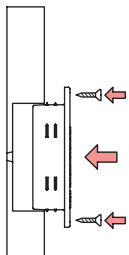
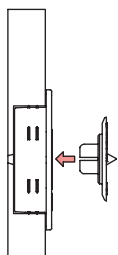
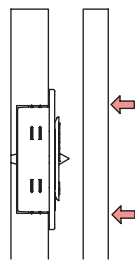
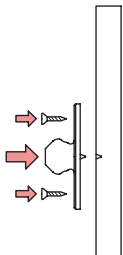
LOW PROFILE LP RANGE

LP-SM8H & LP-SMX INSTALLATION GUIDE

LP-SM8H & LP-SMX Surface Mount Male Screw Fix – 22lb & 33lb

LP-SM8H	LP-SMX	USE WITH:	INSTALL WITH:
		<p>LP-F8 LP-AF8A</p> 	<p>CP-08ST 3 x #6 countersink screws</p> <p>For installation into LP-F8, follow steps 1-4 on LP-F8 install guide.</p> 

INSTALLATION STEPS

<p>1 Drill out 1.4"Ø hole in substrate</p> 	<p>2 Press LP-AF8A into drilled hole, fix with 3x #4 CSK screw</p> 	<p>3 Fit CP-08ST into LP-AF8A</p> 
<p>4 Press panel onto CP-08ST to mark clip position</p> 	<p>5 Locate LP-SMX or LP-SM8H into marked position on panel, install with 3 x #6 CSK screws</p> 	<p>6 Align panel and press firmly to engage clips</p> 