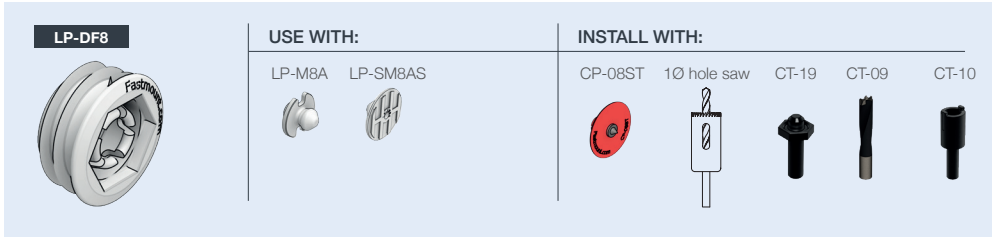


# LOW PROFILE LP RANGE

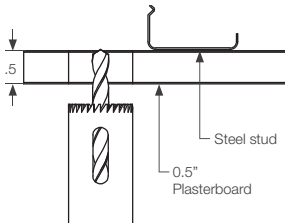
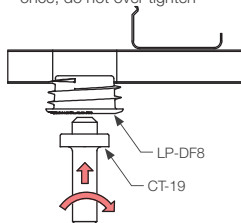
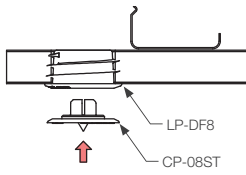
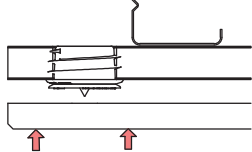
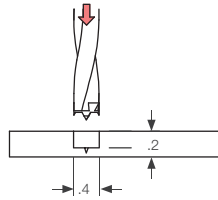
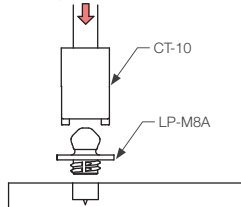
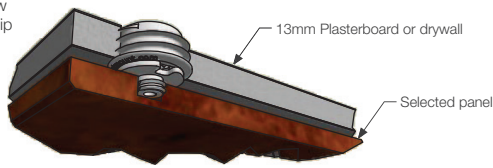

## LP-DF8 INSTALLATION GUIDE

### LP-DF8 Low Profile Drywall Self Tapping Coarse Thread Female



#### INSTALLATION STEPS

Using LP-M8A - self tapping option. See LP-SM8AS for adhesive fix option

<p><b>1</b> Drill 1"Ø hole in drywall plasterboard</p>  <p>Labels: .5", Steel stud, 0.5" Plasterboard</p>	<p><b>2</b> Screw LP-DF8 into drywall. Use battery drill with clutch set, fit only once, do not over tighten</p>  <p>Labels: LP-DF8, CT-19</p>	<p><b>3</b> Fit CP-08ST centre point into LP-DF8</p>  <p>Labels: LP-DF8, CP-08ST</p>
<p><b>4</b> Press panel onto CP-08ST to mark</p> 	<p><b>5</b> Drill panel on mark with CT-09</p>  <p>Labels: .4, .2</p>	<p><b>6</b> Screw fit LP-M8A with CT-10. use battery drill with clutch set.</p>  <p>Labels: CT-10, LP-M8A</p>
<p><b>A</b> Cutaway view of installed clip</p>  <p>Labels: 13mm Plasterboard or drywall, Selected panel</p>		 <p>NB. CT-12 to CSK hole edge in hard material (.04-.08")</p>