

STRATLOCK SL RANGE

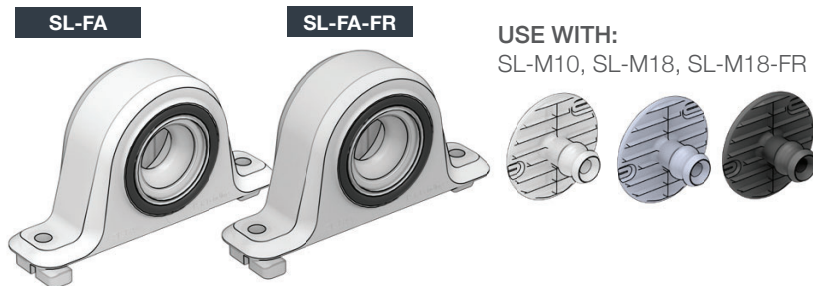
SL-FA & SL-FA-FR PRODUCT GUIDE

SL-FA Stratlock® Female Side Mount Clip

SL-FA-FR Stratlock® Female Side Mount Clip - Fire Rated

The SL-FA provides rapid installation of heavy panels into side-channel aluminium extrusion framework. Designed specifically for contract interior fitout applications, the SL-FA / SL-FA-FR is also suitable for superyacht deckhead panels. Female installs rapidly with a twist-lock function into the side channel, and can be screwed or riveted into its final position. Used with the SL-M10/SL-M18 /SL-M18-FR, the new solid internal load chassis creates 4mm supported movement of the panel in any direction at the first engagement before locking into place with a 10/18kg pull out load. Patent Pending.

Designed for the new Stratlock Rail System by Fastmount, or fits into groove dimensions: mouth: 7.5mm - 8.5mm, depth: min 7mm, wall thickness: 0.75mm - 1.2mm. The distance between the panel and substrate when installed is 12.5mm at the first click, and 6mm when pressed into final position.



MATERIAL:

White Acetal copolymer/Rubber ring
Off white FR Nylon/Rubber ring

MORE INFO:

Installation Guide SL-FA
Clip Layout Guide TD-15, 17
Panel Offset Guide

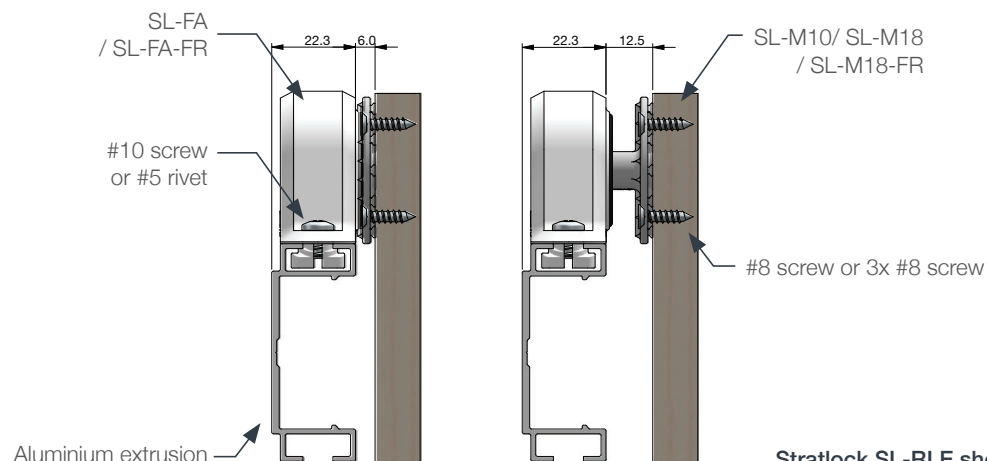
BENEFITS

- Strongest mounting available
- T-lock function for rapid installation into channel with screw or pop rivet
- Supported movement of the panel 4mm in any direction before locking into final position.
- No special tools required for installation
- Acoustic isolation between panel and frame
- Designed for aluminium extrusion
- Option of 10kg or 18kg pull out load with SL-M10 or SL-M18
- 6mm standoff between frame and panel
- Adjustability along channel for easy spacing - no drilling required
- SL-FA-FR available in V-0 rated FR Nylon

APPLICATIONS

- Commercial interior fit out
- Architectural and marine applications
- Mounting heavier ceiling and wall panels
- Hotels, hospitals, retail
- Residential fitout
- Superyacht deckhead panels
- Fire-rated interiors

INSTALLATION: Partially exploded through section showing typical installation method



STRATLOCK SL RANGE

SL-FA & SL-FA-FR PRODUCT GUIDE

Below are the associated certifications for the above-mentioned Fire Rated materials used in the SL-FA-FR:

UL-Yellow card for Grilon AS V0

UL-Yellow card for Technyl B50H1

Component - Plastics		E132701					
EMS-CHEMIE (TAIWAN) LTD							
36 KWANG FU SOUTH RD, HSIN CHU INDUSTRIAL PARK, FU KOU HSIANG, HSIN CHU HSIEN 30351 TW							
Grilon AS V0							
Polyamide 66 (PA66), unreinforced, "Grilon", furnished as pellets							
	Min Thk	Flame			RTI	RTI	RTI
Color	(mm)	Class	HWI	HAI	Elec	Imp	Str
ALL	0.75	V-0	4	0	115	105	120
	0.85	V-0	4	0	115	105	120
	1.5	V-0	2	0	115	105	120
	3.0	V-0	1	0	115	105	120
Comparative Tracking Index (CTI): 0				Inclined Plane Tracking (IPT): -			
Dielectric Strength (kV/mm): -				Volume Resistivity (10 ^x ohm-cm) : -			
High-Voltage Arc Tracking Rate (HVTR): 0				High Volt, Low Current Arc Resis (D495): 5			
Dimensional Stability (%): -							
ANSI/UL 94 small-scale test data does not pertain to building materials, furnishings and related contents. ANSI/UL 94 small-scale test data is intended solely for determining the flammability of plastic materials used in the components and parts of end-product devices and appliances, where the acceptability of the combination is determined by UL.							
Report Date: 1990-07-09							
Last Revised: 2009-12-03							
© 2011 Underwriters Laboratories Inc. 							

IEC and ISO Test Methods

Test Name	Test Method	Units	Thickness	
			Tested (mm)	Value
Flammability	IEC 60695-11-10	Class (color)	0.75	V-0 (ALL)
			0.85	V-0 (ALL)
			1.5	V-0 (ALL)
			3.0	V-0 (ALL)
Glow-Wire Flammability (GWFI)	IEC 60695-2-12	C	0.85	960
			1.5	960
			3.0	960
Glow-Wire Ignition (GWIT)	IEC 60695-2-13	C	-	-
IEC Comparative Tracking Index	IEC 60112	Volts (Max)	-	-
IEC Ball Pressure	IEC 60695-10-2	C	-	-
ISO Heat Deflection (1.80 MPa)	ISO 75-2	C	-	-
ISO Tensile Strength	ISO 527-2	MPa	-	-
ISO Flexural Strength	ISO 178	MPa	-	-
ISO Tensile Impact	ISO 8256	kJ/m ²	-	-
ISO Izod Impact	ISO 180	kJ/m ²	-	-
ISO Charpy Impact	ISO 179-2	kJ/m ²	-	-

© 2011 Underwriters Laboratories Inc.

STRATLOCK SL RANGE

SL-FA & SL-FA-FR PRODUCT GUIDE

Component - Plastics

E507491

Guide Information

BASF Engineering Plastics (Shanghai) Co., Ltd.

3966 JIN DU RD, XIN ZHUANG INDUSTRIAL ZONE, SHANGHAI 201108 CN

B 50H1(r1)(f2)

Polyamide 66/6 (PA66/6), unfilled "Technyl or Ultramid", furnished as pellets

Color	Min. Thk (mm)	Flame Class	HWI	HAI	RTI Elec	RTI Imp	RTI Str
ALL	0.38	V-0	4	0	120		
	0.75	V-0	4	0	120	90	95
BK	1.0	V-0, 5VB	4	0	120	90	95
ALL	1.5	V-0	4	0	120	90	95
	3.0	V-0	3	0	120	90	95

Comparative Tracking Index (CTI): 0

Dielectric Strength (kV/mm):

High-Voltage Arc Tracking Rate (HVTR): 0

Dimensional Stability (%): -

Inclined Plane Tracking (IPT) kV: -

Volume Resistivity (10^x ohm-cm): -Surface Resistivity (10^x ohms/square):
High Volt, Low Current Arc Resis (D495): 6

(f2) - Subjected to one or more of the following tests: Ultraviolet Light, Water Exposure or Immersion in accordance with UL 746C, where the acceptability for outdoor use is to be determined by UL

(r1) - Virgin and regrind up to 50% by weight incl. have the same basic material characteristics, except for the 5VB rating.

NOTE - Materials designated "Technyl" may be prefixed by the letters "TY".

ANSI/UL 94 small-scale test data does not pertain to building materials, furnishings and related contents. ANSI/UL 94 small-scale test data is intended solely for determining the flammability of plastic materials used in the components and parts of end-product devices and appliances, where the acceptability of the combination is determined by UL.

Report Date: 1993-10-21

Last Revised: 2020-05-07

© 2020 UL LLC

**IEC and ISO Test Methods**

Test Name	Test Method	Units	Thk (mm)	Value
Flammability	IEC 60695-11-10, IEC 60695-11-20	Class (color)	0.38	V-0 (ALL)
			0.75	V-0 (ALL)
			1.0	V-0, 5VB (BK)