
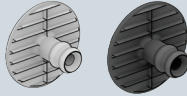

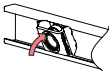
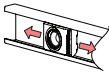
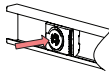
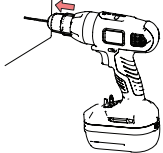
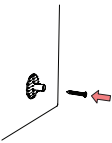
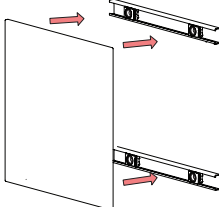
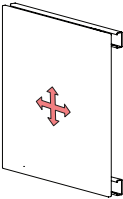
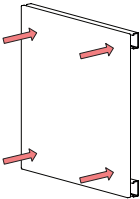


**SL-FB** Stratlock® Range - screw fix

**SL-FB-FR** Stratlock® Range - screw fix - fire rated

<p><b>SL-FB</b> <b>SL-FB-FR</b></p>		<p><b>USE WITH:</b> SL-M18 or SL-M18-FR</p>		<p><b>INSTALL WITH:</b></p>	<p>#8 screw CP-01ST</p> 
---	---	---	---	-----------------------------	---

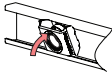
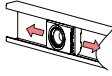
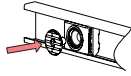
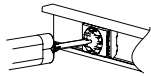
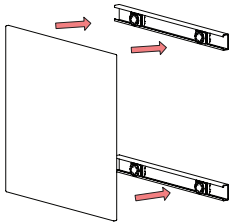
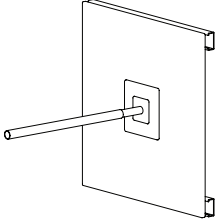
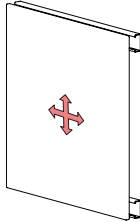
**INSTALLATION STEPS** Screw-fix method - follow same steps for fire-rated Stratlock clips

<p><b>1</b> Push fit SL-FB into frame</p> 	<p><b>2</b> Locate SL-FB into correct position</p> 	<p><b>3</b> Insert CP-01 ST into SL-FB and press panel into correct position, marking the panel</p> 	<p><b>4</b> Drill out mark created by CP-01ST with 3mm drill bit</p> 
<p><b>5</b> Install SL-M18 with #8 screw</p> 	<p><b>6</b> Engage panel to first click into SL-FB</p> 	<p><b>7</b> Adjust panel to find correct position</p> 	<p><b>8</b> Once panel is in correct location, engage second click by pressing panel into final position</p> 

**SL-FB** Stratlock™ Range Adhesive Fix

<p><b>SL-FB</b></p> 	<p><b>USE WITH:</b></p> <p>SL-M18</p> 	<p><b>INSTALL WITH:</b></p> <p>Fastmount SuperGroove® Adhesive</p>
---	---	--

**INSTALLATION STEPS** Adhesive fix method

<p><b>1</b> Push fit SL-FB into frame</p> 	<p><b>2</b> Locate SL-FB into correct position</p> 	<p><b>3</b> Engage SL-M18 two clicks into SL-FB</p> 	<p><b>4</b> Apply Fastmount SuperGroove Adhesive CG-5010 to SL-M18</p> 
<p><b>5</b> Press panel into place</p> 	<p><b>6</b> Use panel support while adhesive dries</p> 	<p><b>7</b> Once adhesive has dried, remove panel. Replace and engage only one click to adjust panel around the SL-M18's point</p> 	<p><b>8</b> Once panel is in desired location, engage second click by pressing panel into its final position</p> 